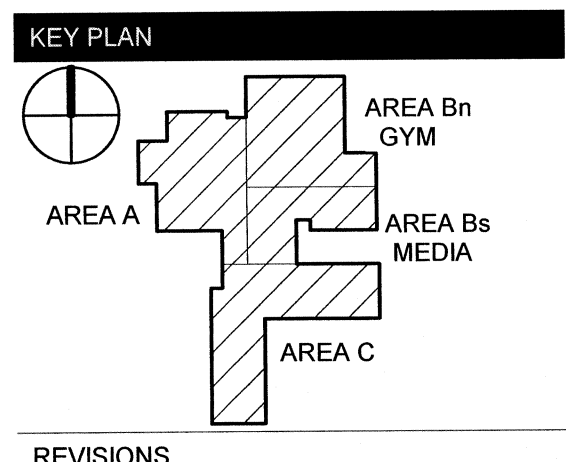


TOWN CREEK MIDDLE SCHOOL

6370 LAKE PARK DRIVE SE
WINNABOW, NC 28479



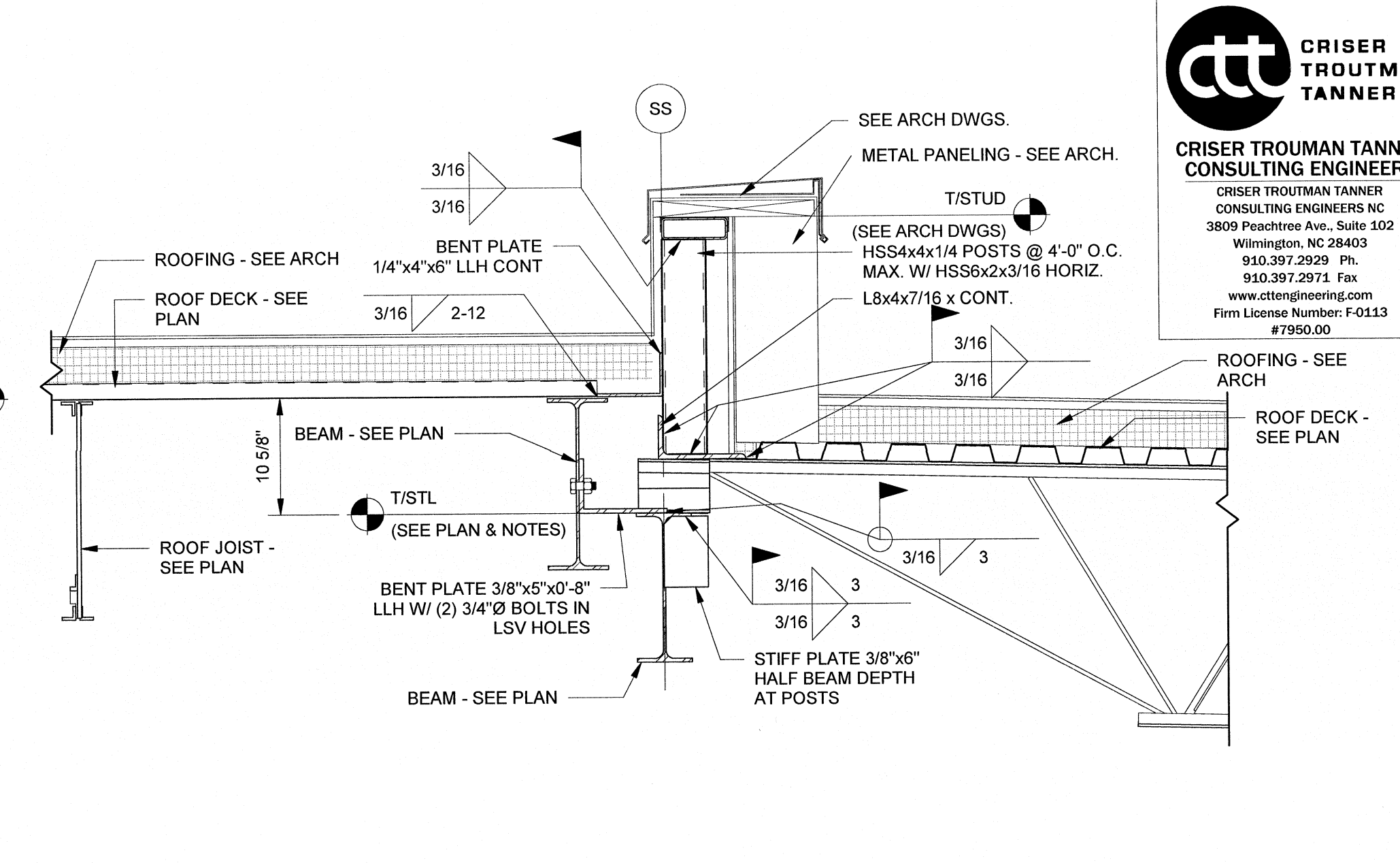
No.	Description	Date
2	Addendum #2	6/19/18

ISSUED: CONSTRUCTION DOCUMENTS

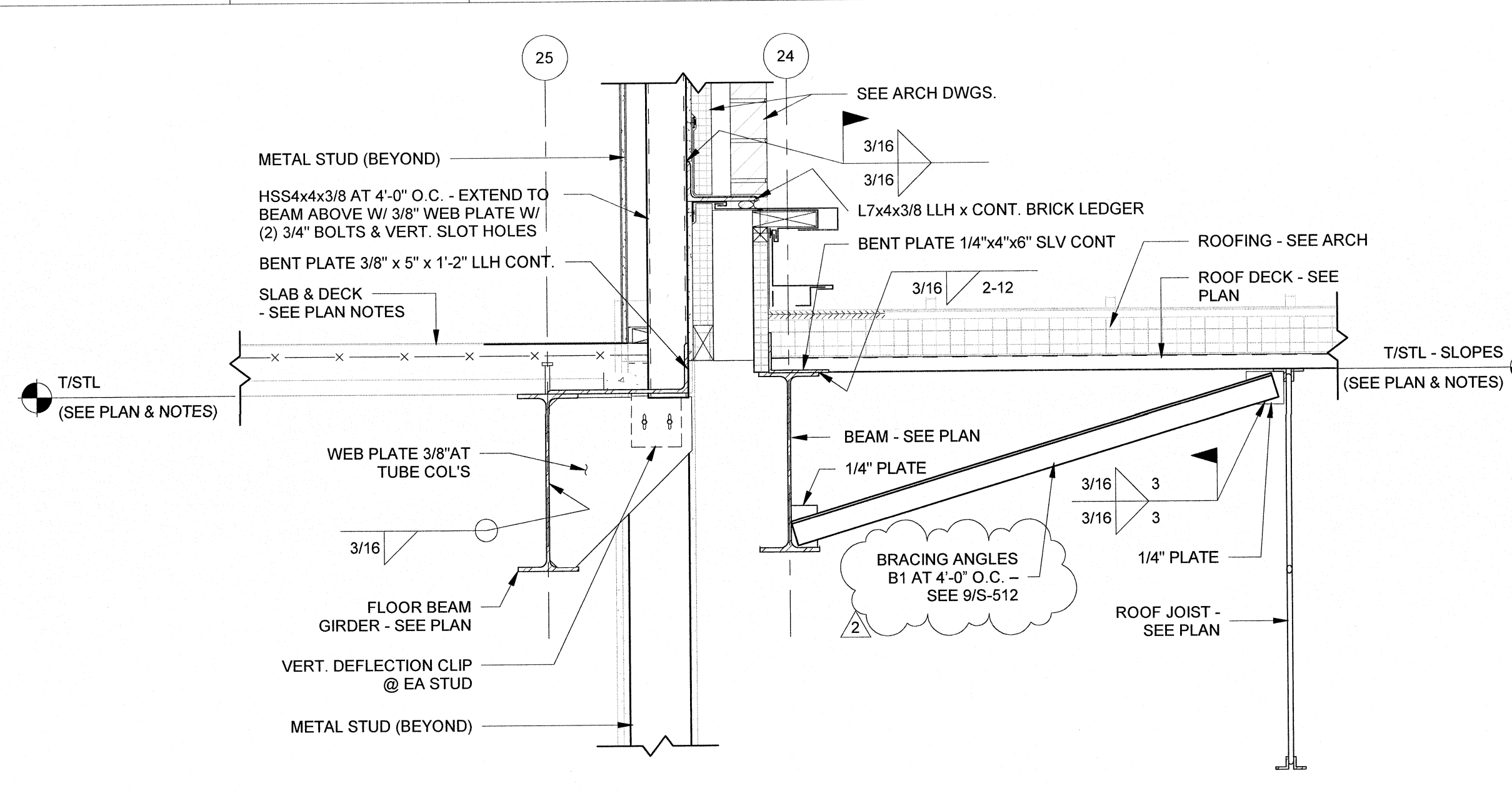
DATE: 05/24/2018
SCALE: 1" = 1'-0"

SHEET NAME: ROOF FRAMING SECTIONS
SHEET NUMBER:

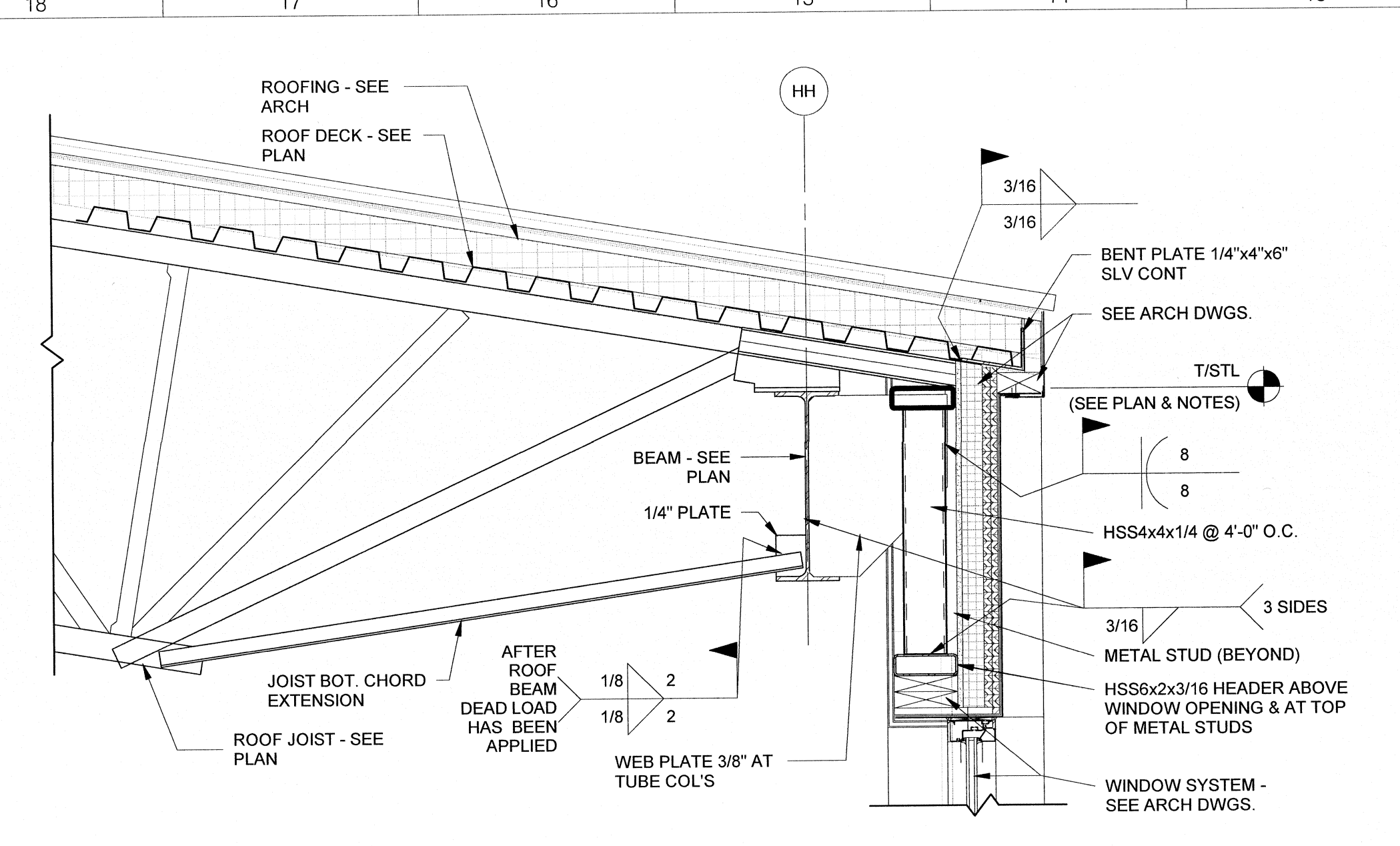
S-511



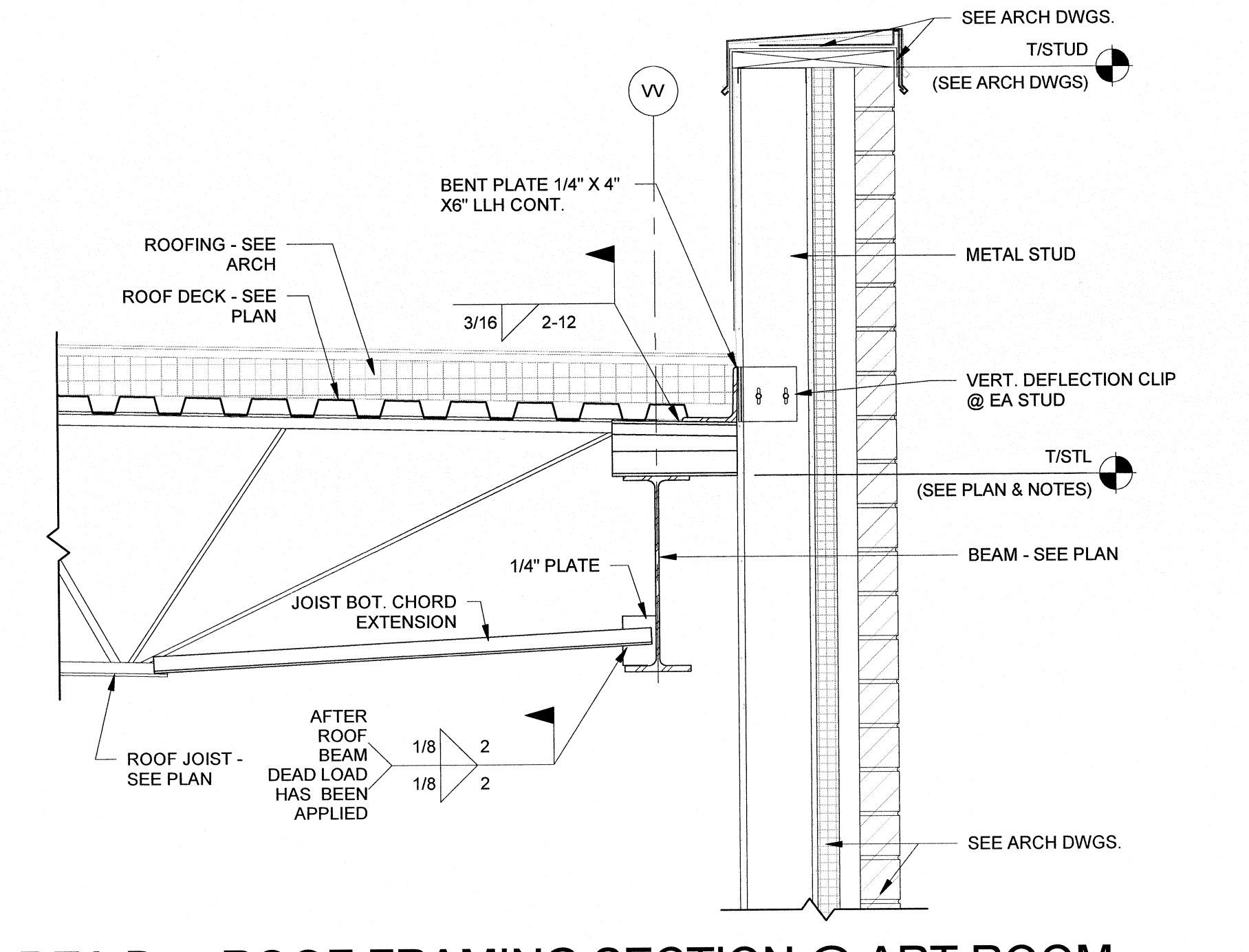
AREA Bs - ROOF FRAMING SECTION - MEDIA EAST AT BRICK LEDGER 7
1" = 1'-0"



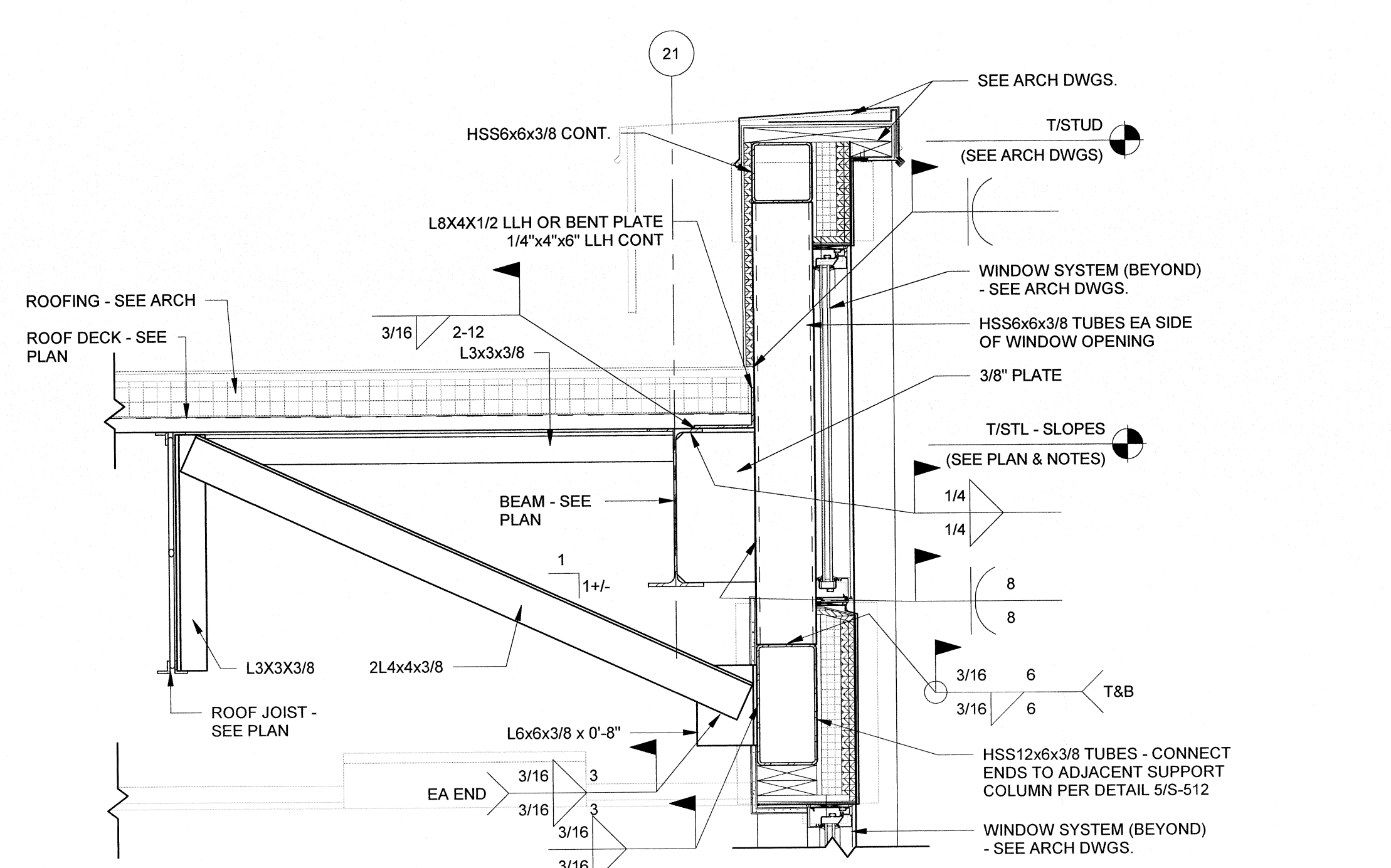
AREA Bs - ROOF FRAMING SECTION - MEDIA SOUTH AT BRICK LEDGER & E.J. 8
1" = 1'-0"



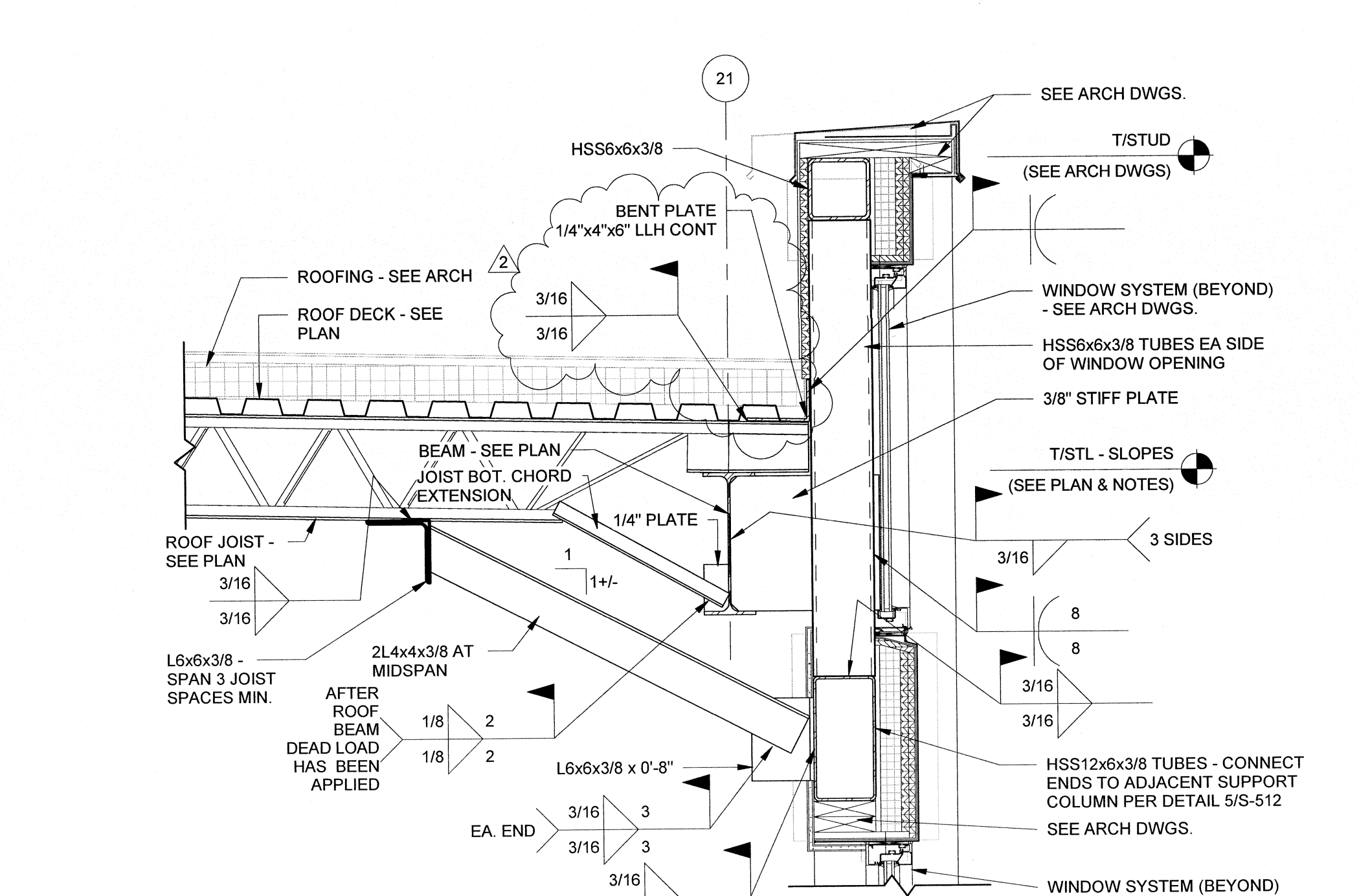
AREA Bs - ROOF FRAMING SECTION - MEDIA SOUTH EAST WALL 9
1" = 1'-0"



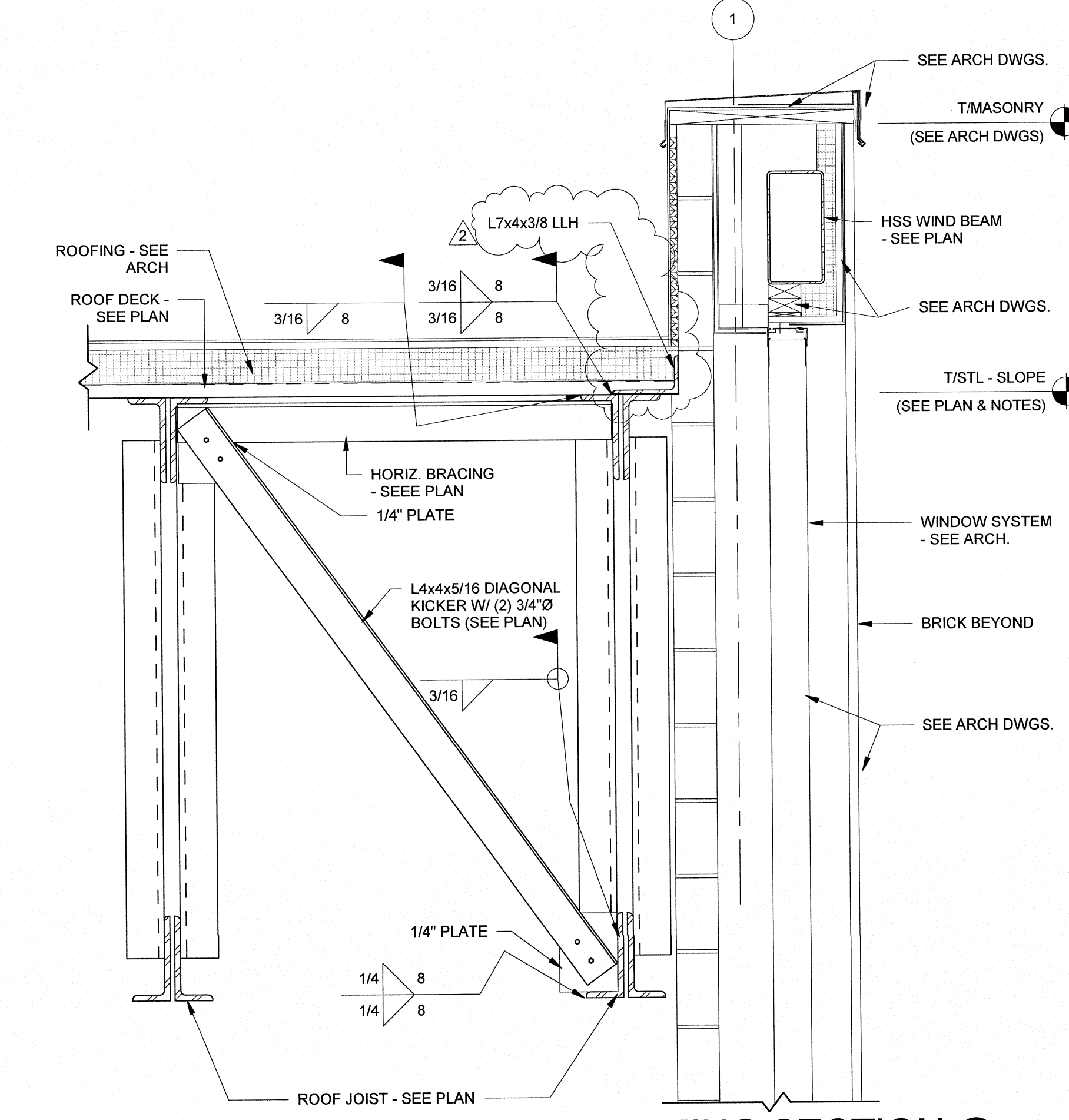
AREA Bn - ROOF FRAMING SECTION @ ART ROOM EAST 4
1" = 1'-0"



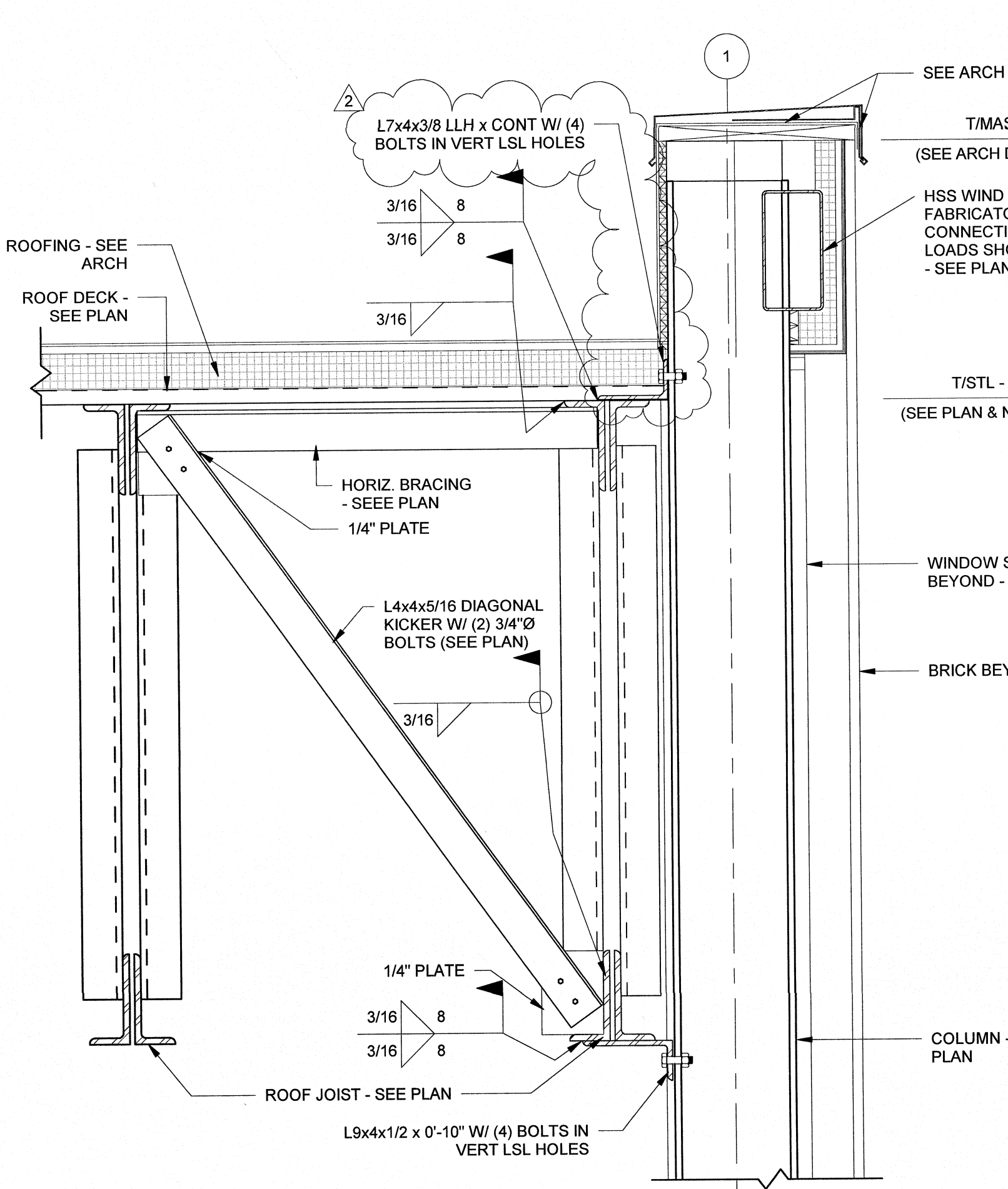
AREA Bs - ROOF FRAMING SECTION - MUSIC ROOM STOREFRONT - RIGHT SIDE 5
1" = 1'-0"



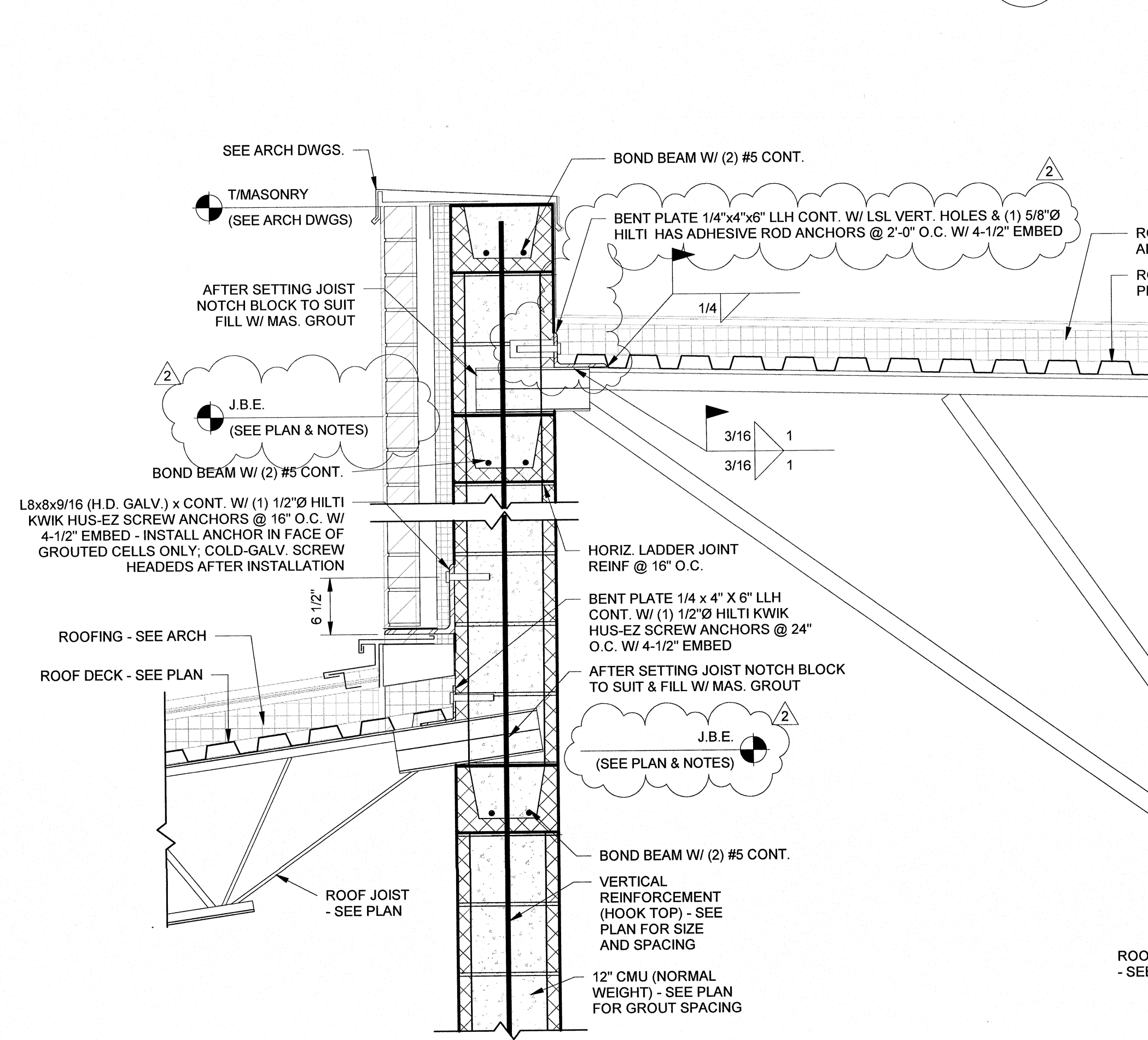
AREA Bs - ROOF FRAMING SECTION - MUSIC ROOM STOREFRONT - LEFT SIDE 6
1" = 1'-0"



AREA Bn - ROOF FRAMING SECTION @ GYM/LOCKER ROOM LEVEL 3 1
1" = 1'-0"



AREA Bn - ROOF FRAMING SECTION @ GYM/LOCKER ROOM COLUMN LEVEL 3 2
1" = 1'-0"



AREA Bn - ROOF FRAMING SECTION - GYM AT BRICK LEDGER 3
1" = 1'-0"