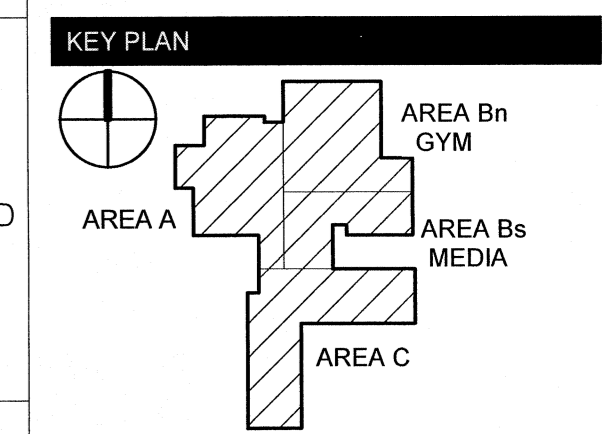


**TOWN CREEK MIDDLE SCHOOL**

6370 LAKE PARK DRIVE SE  
WINNABOW, NC 28479



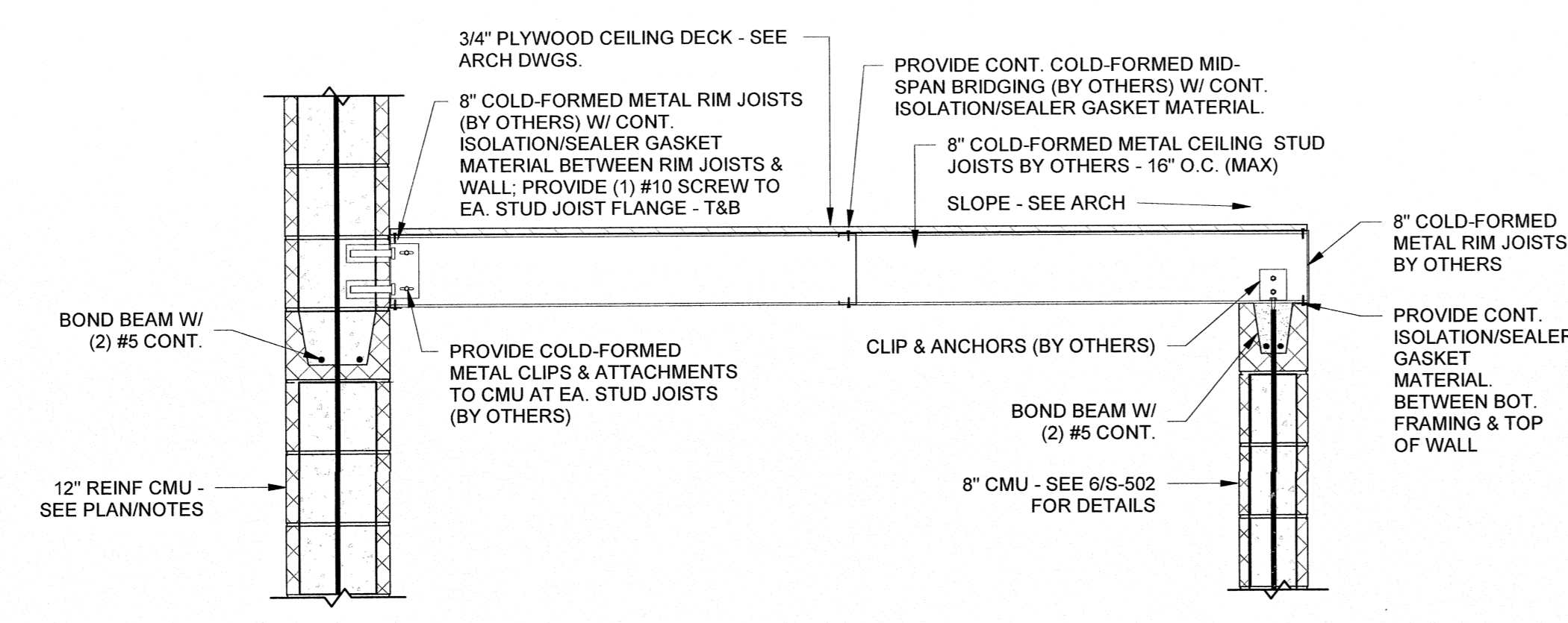
**REVISIONS**

No.	Description	Date
2	Addendum #2	6/19/18

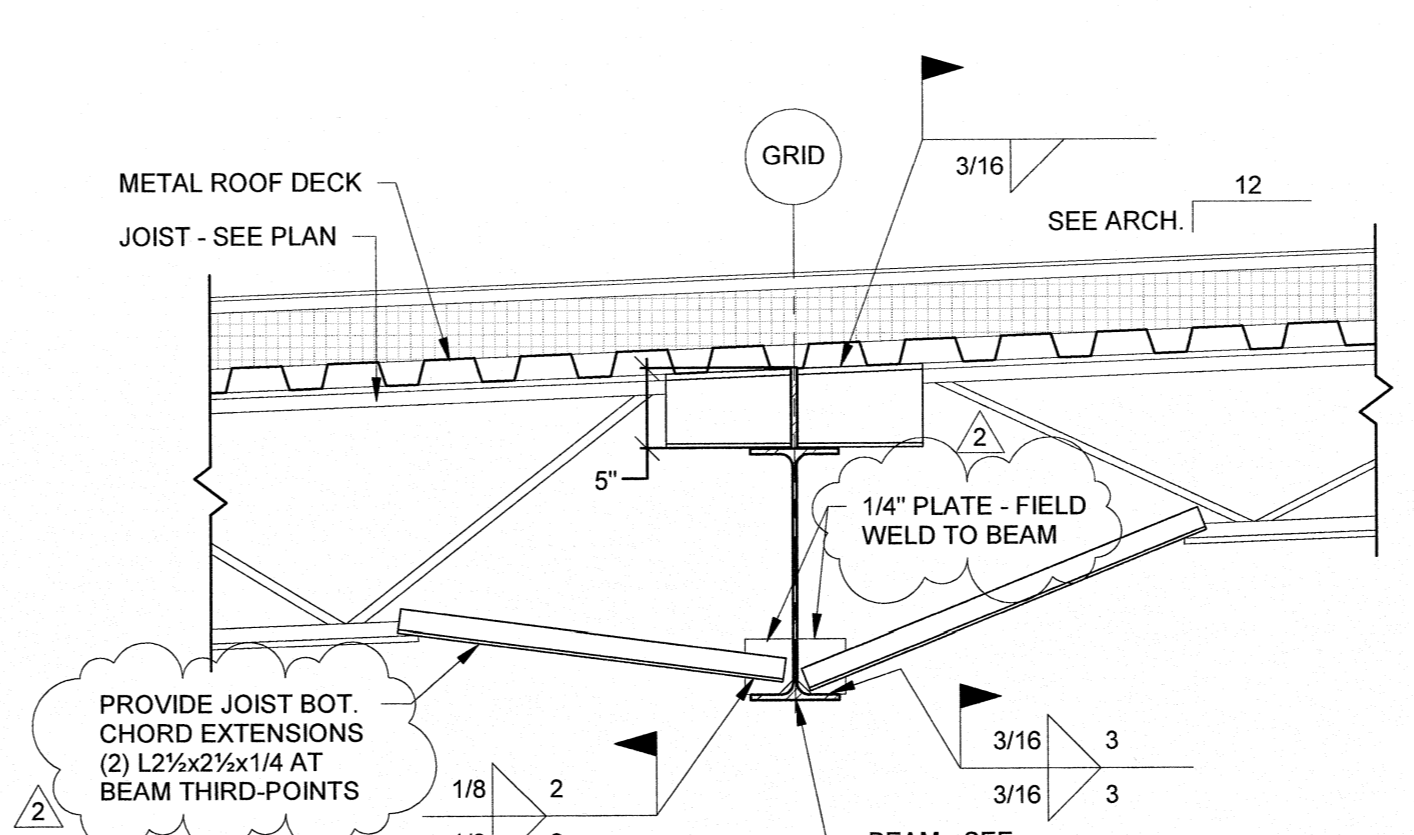
**ISSUED: CONSTRUCTION DOCUMENTS**

**DATE:** 05/24/2018  
**SCALE:** As indicated  
**SHEET NAME:** FRAMING SECTIONS

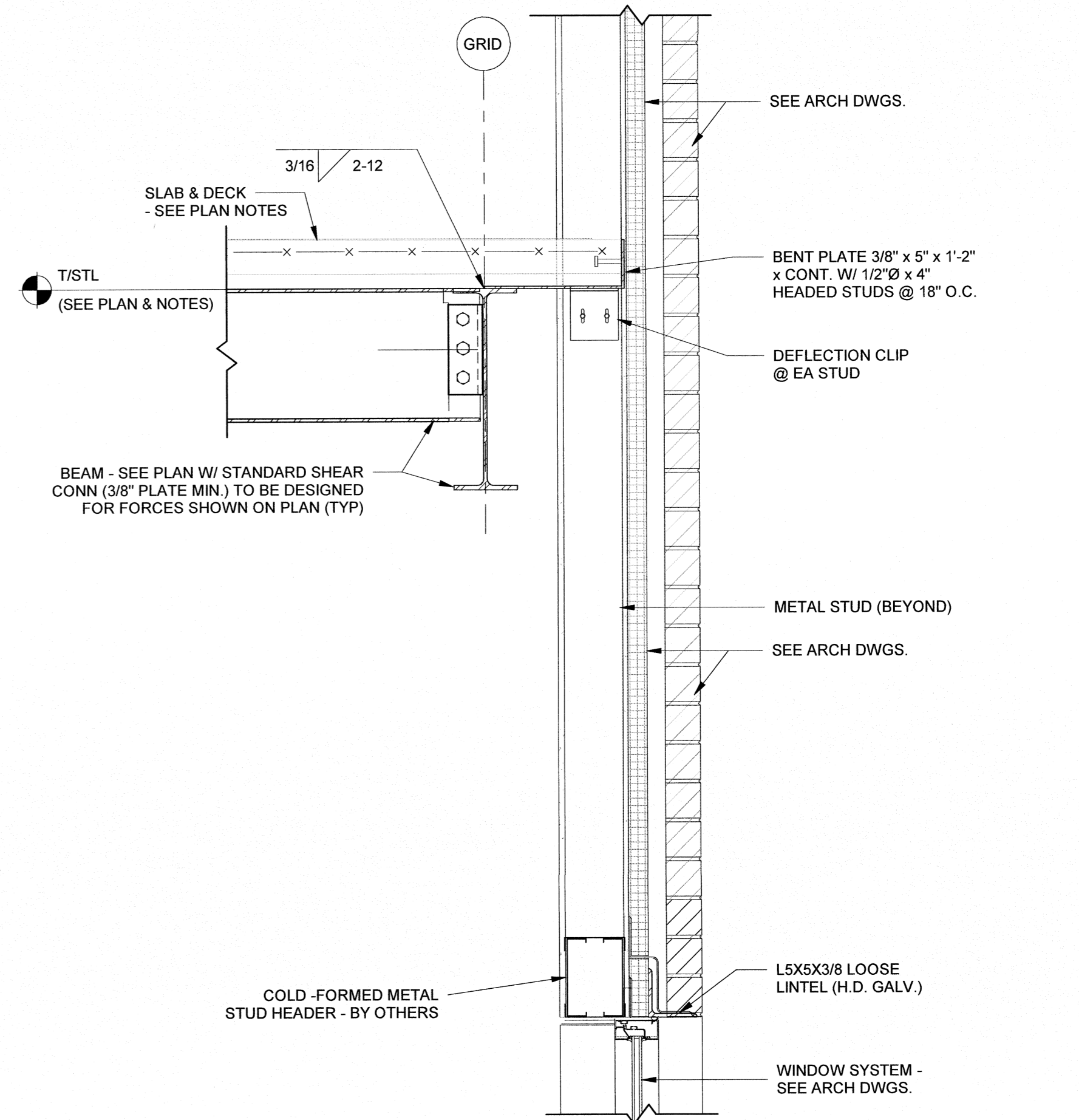
**SHEET NUMBER:**  
**S-512**



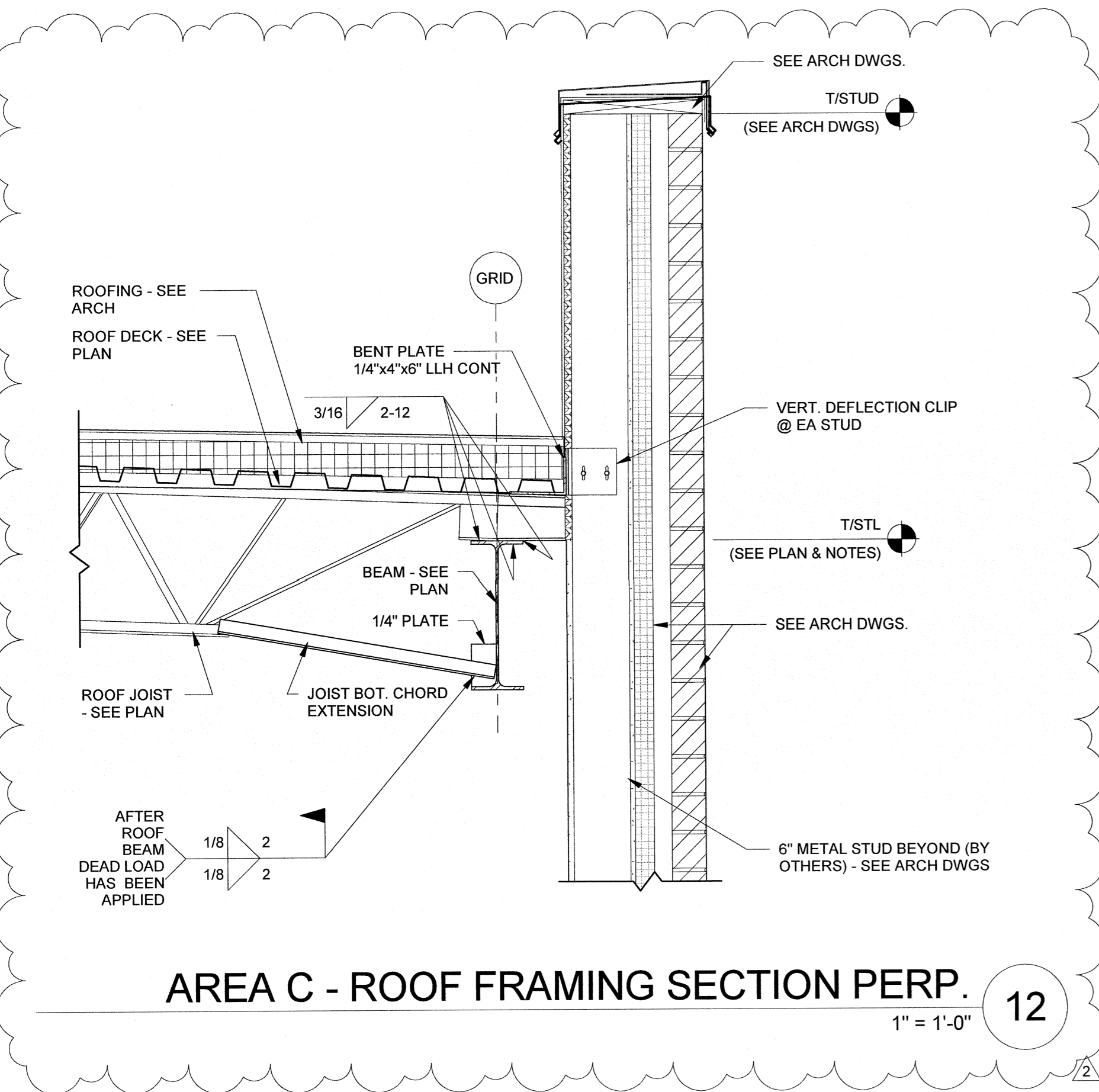
**SECTION CONCESSION STAND CEILING FRAMING** 11  
3/4" = 1'-0"



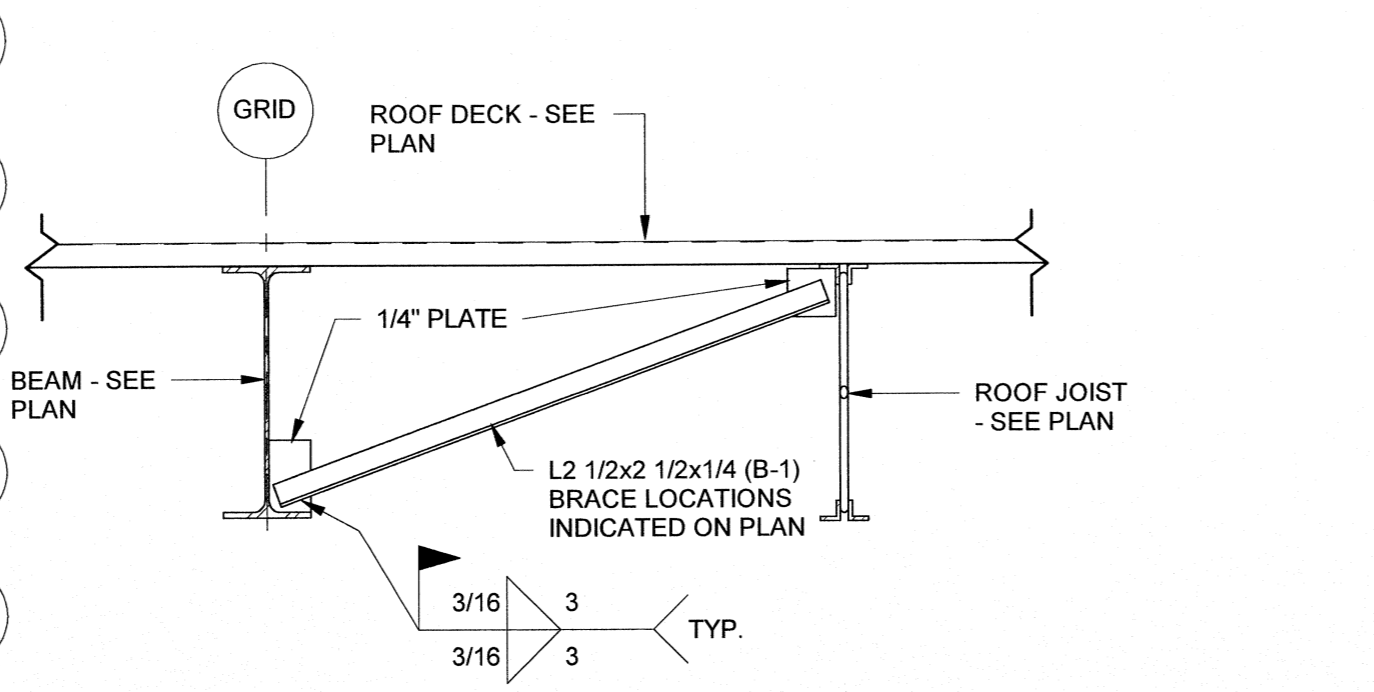
**SECTION ROOF JOIST TO BEAM FRAMING** 10  
1" = 1'-0"



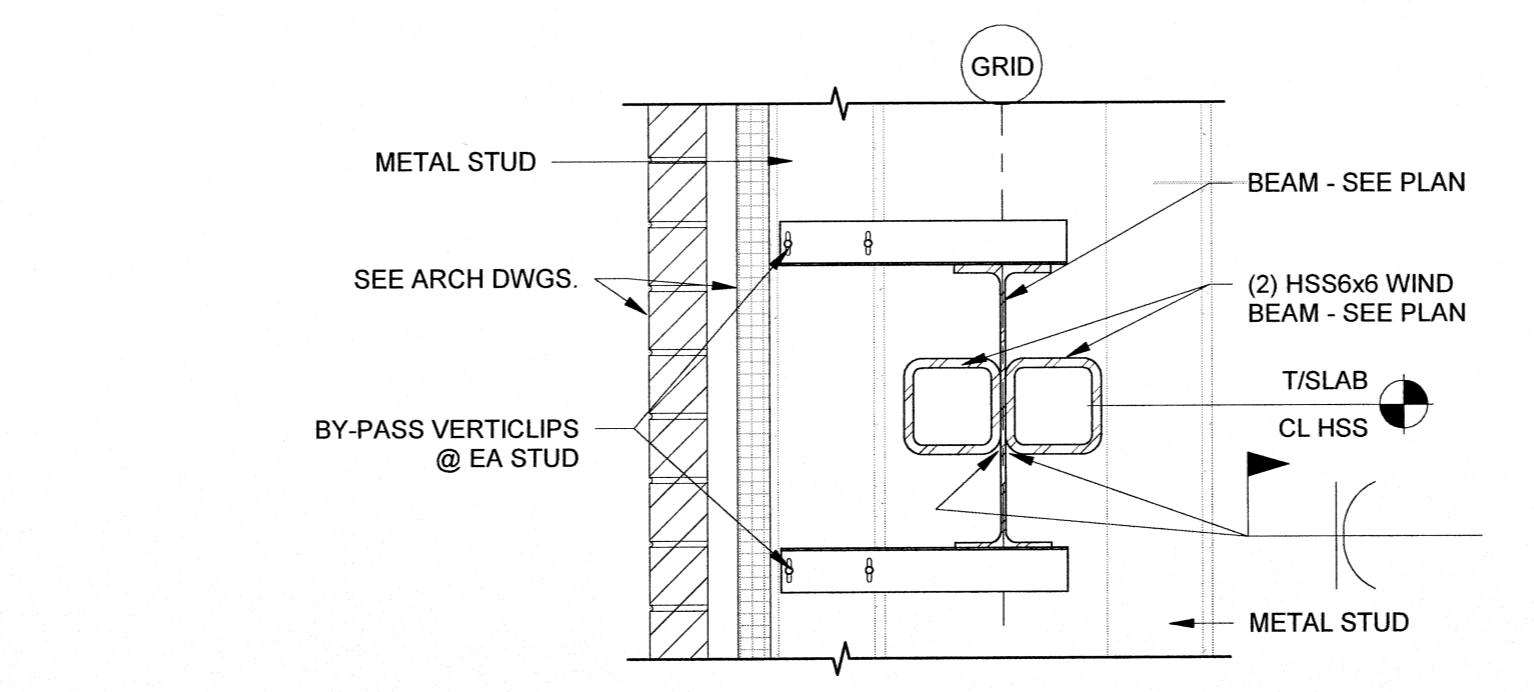
**AREA C - FLOOR FRAMING SECTION @ WINDOW LINTEL** 5  
1" = 1'-0"



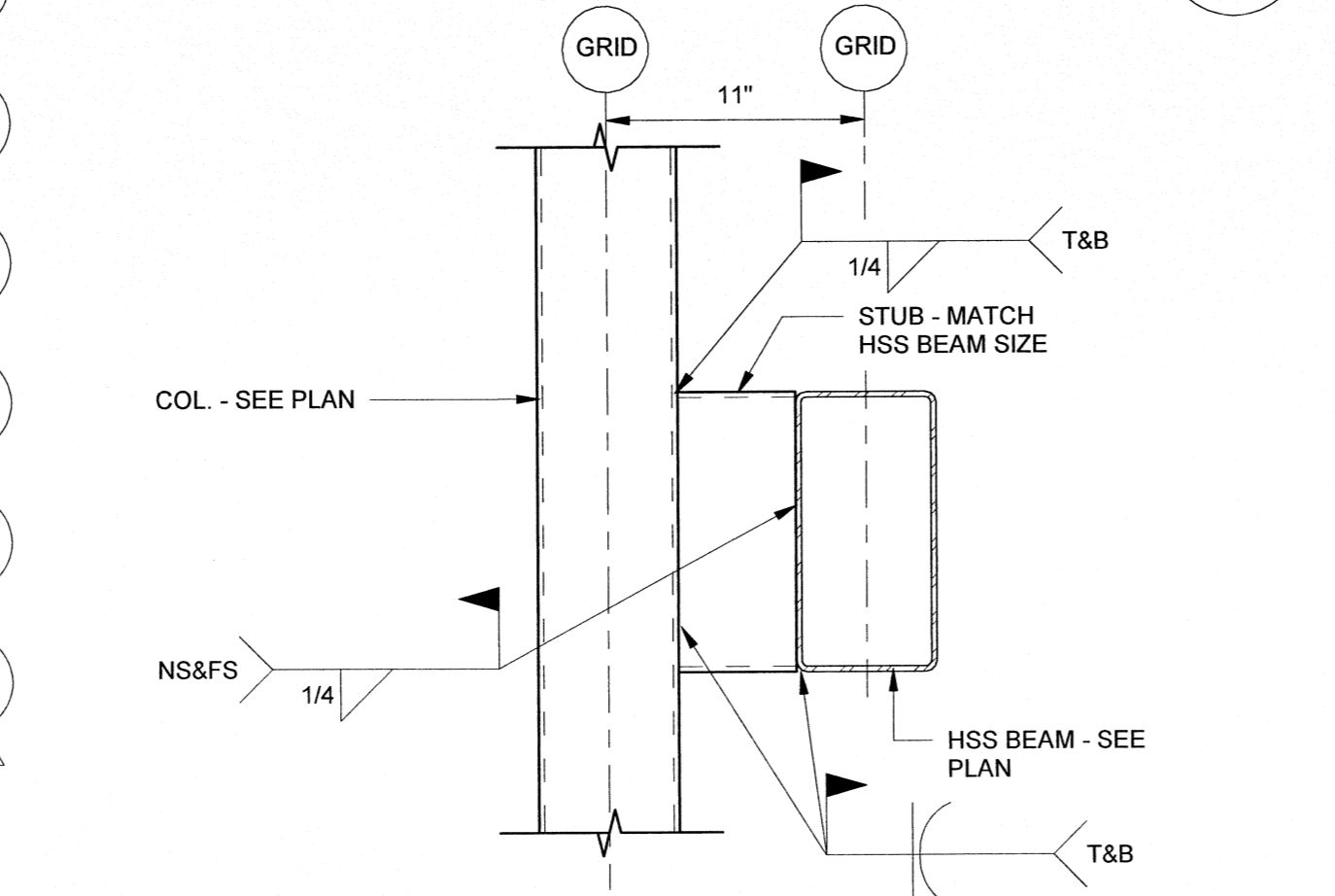
**AREA C - ROOF FRAMING SECTION PERP.** 12  
1" = 1'-0"



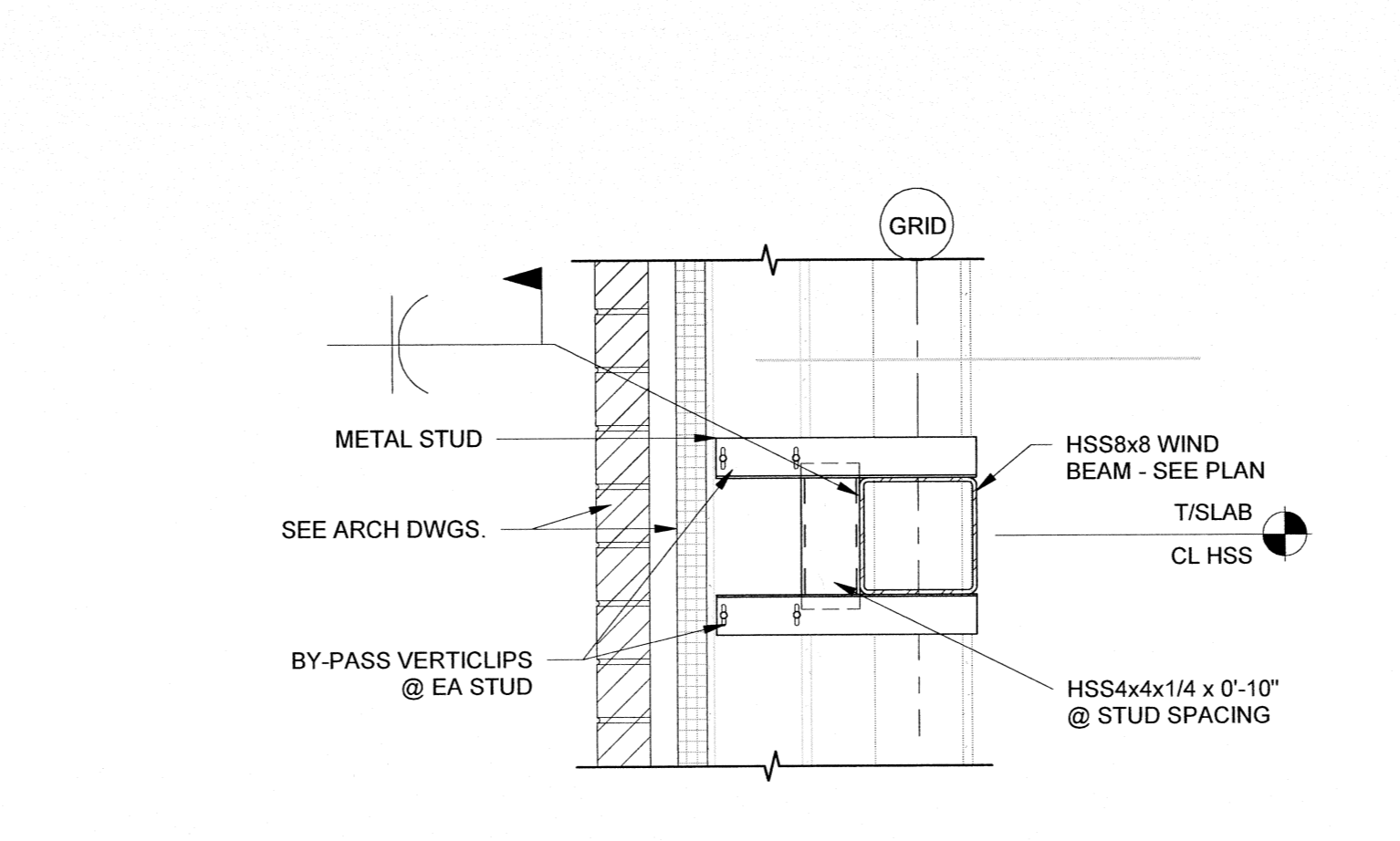
**B-1 BOTTOM FLANGE BRACE** 9  
1" = 1'-0"



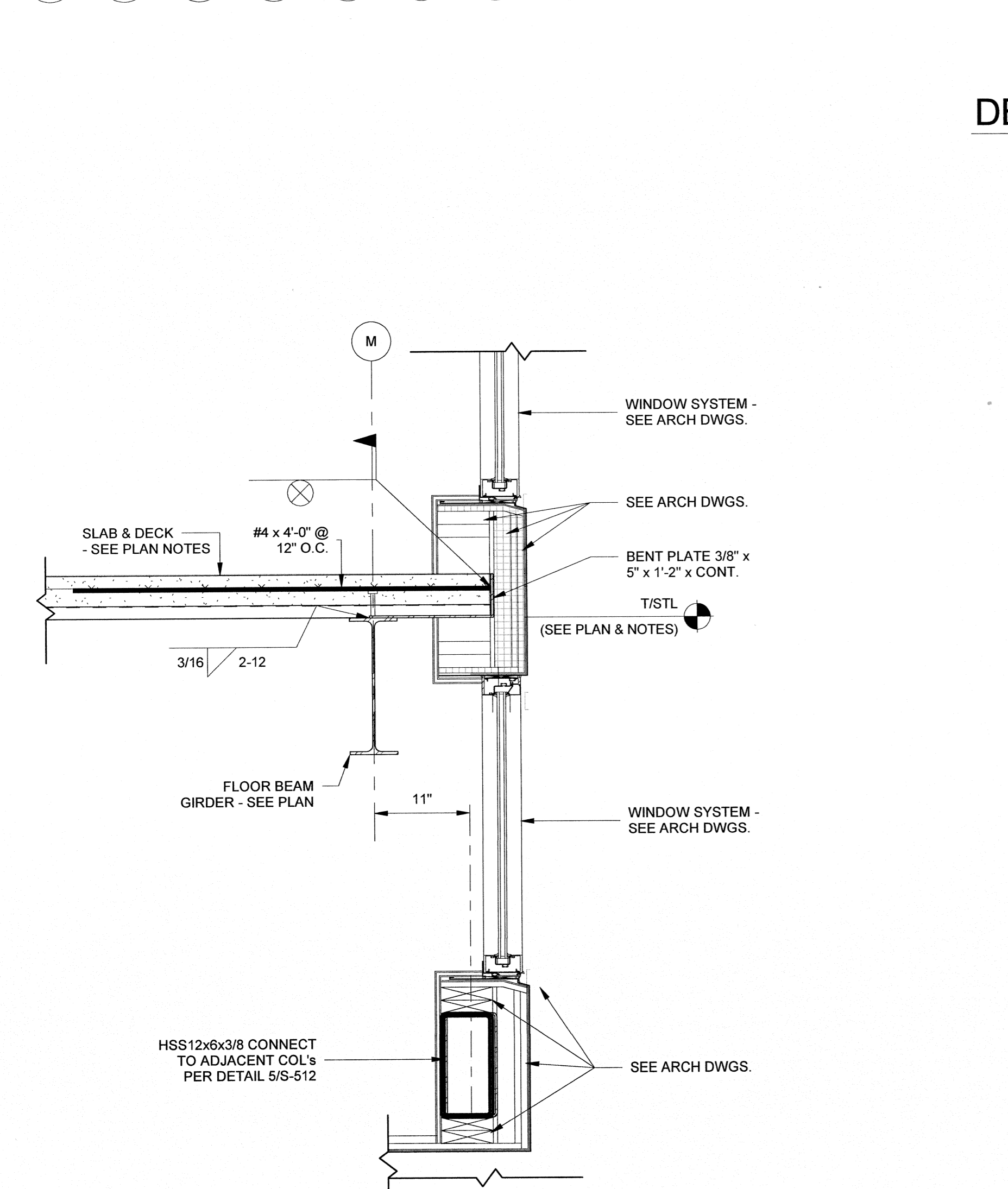
**AREA C - STAIRWELLS ALONG GRIDLINE XX & 37** 8  
1" = 1'-0"



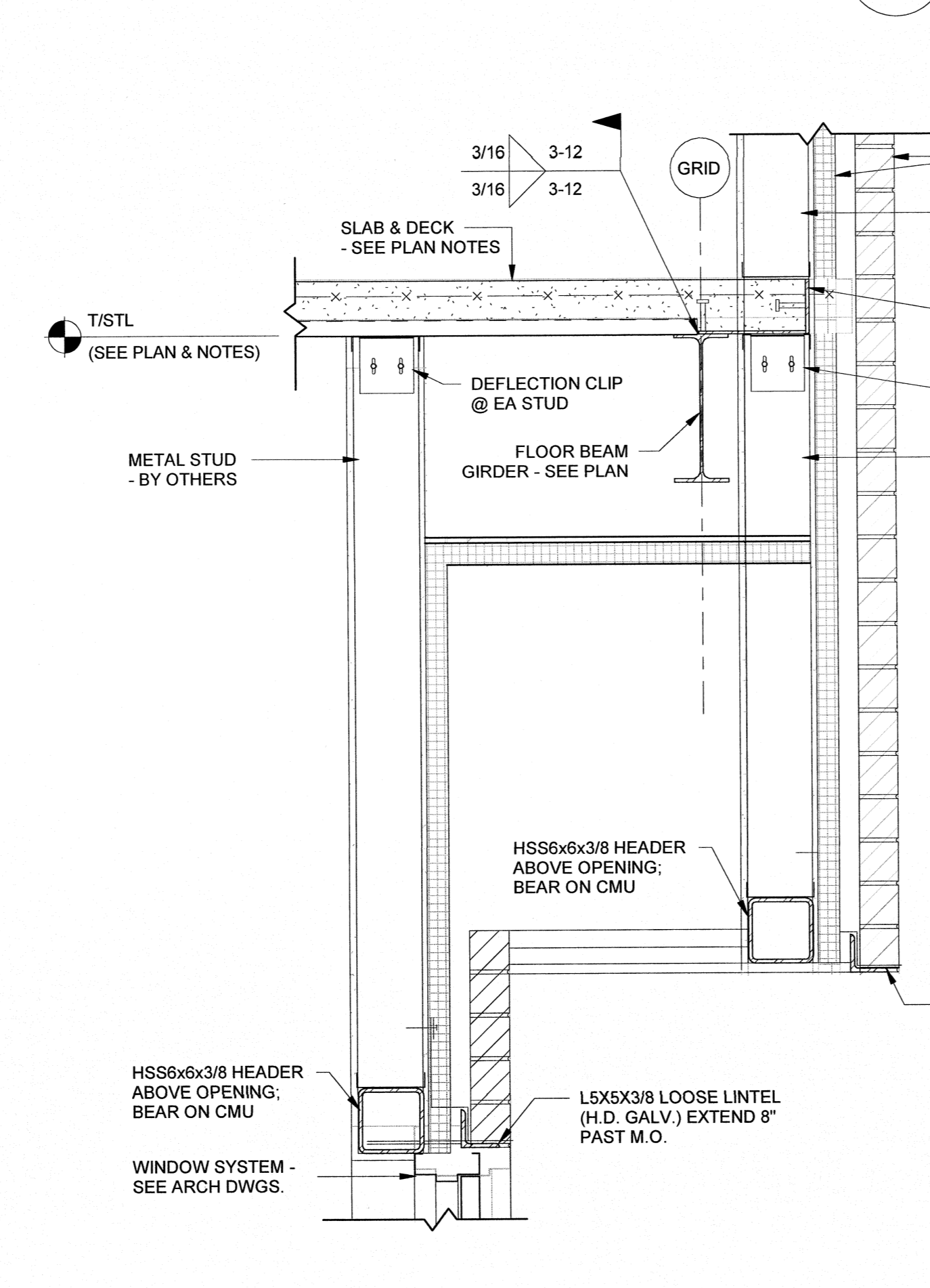
**DETAIL - TUBE BEAM TO TUBE COLUMN** 7  
1 1/2" = 1'-0"



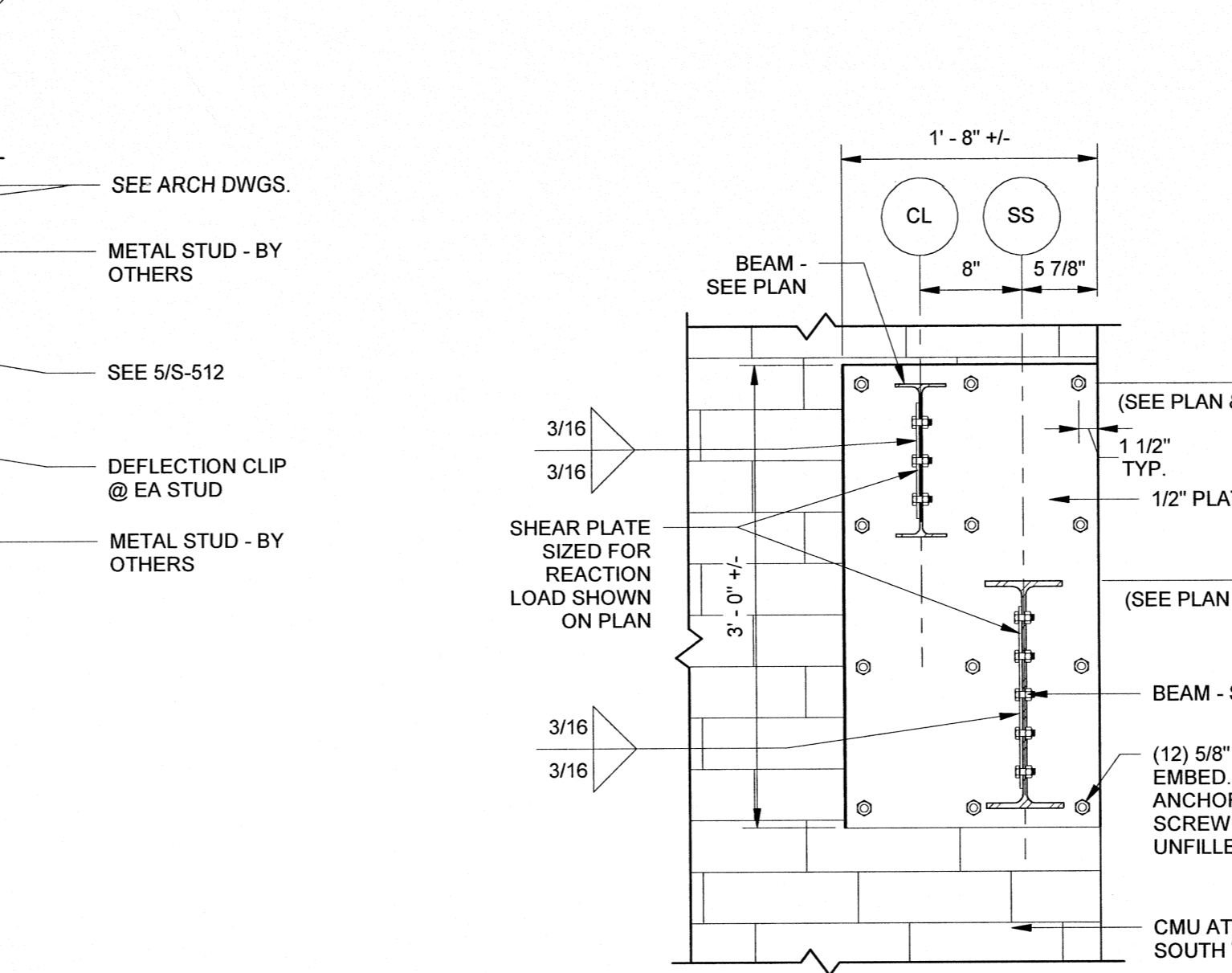
**AREA C - STAIRWELLS ALONG GRIDLINE M & 31** 6  
1" = 1'-0"



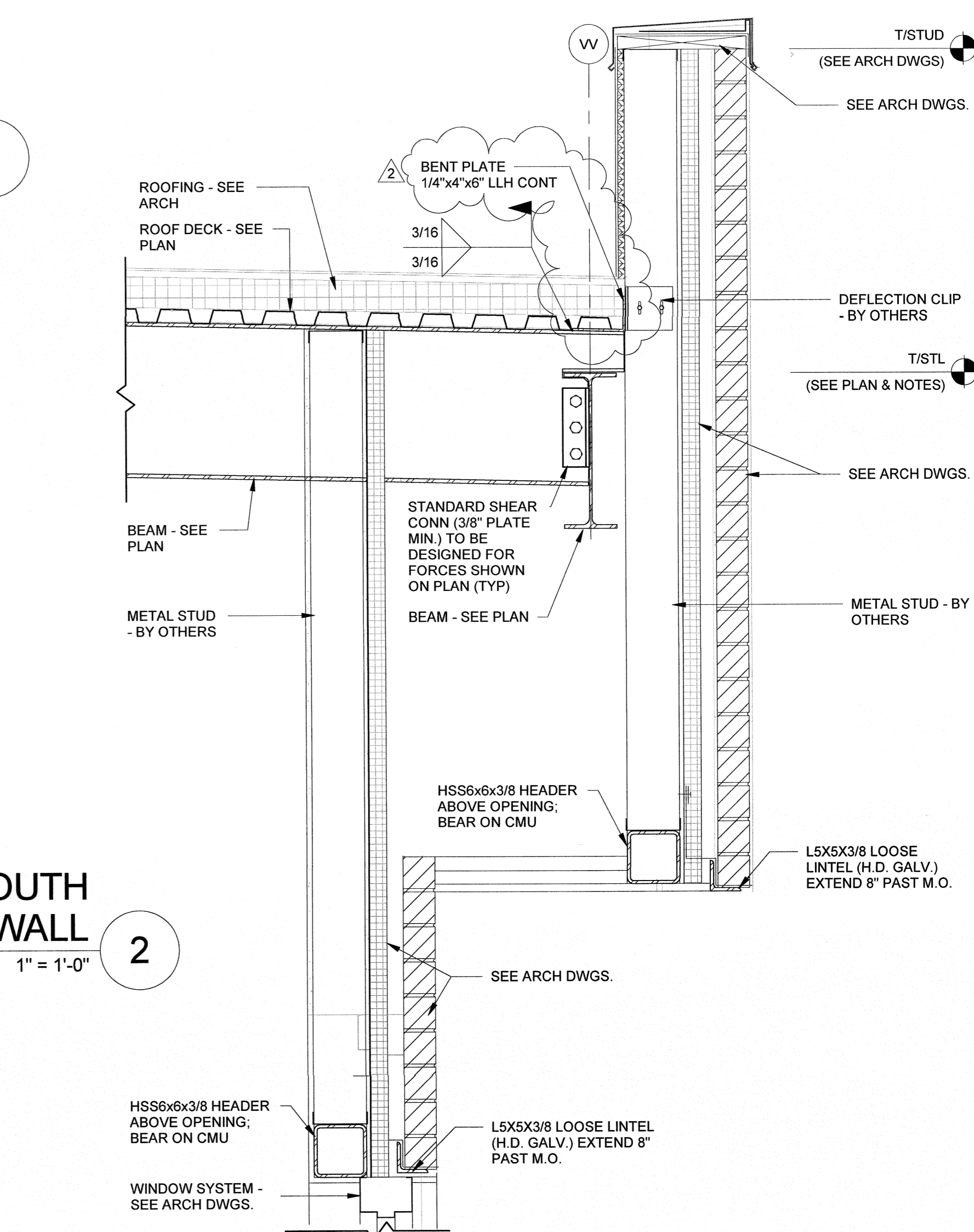
**AREA C - FLOOR FRAMING SECTION @ WEST EXIT DOORS** 4  
1" = 1'-0"



**AREA C - FLOOR FRAMING SECTION - EXIT CORRIDOR** 3  
1" = 1'-0"



**AREA Bs - ROOF FRAMING DETAIL @ GYM SOUTH WALL** 2  
1" = 1'-0"



**AREA Bs - ROOF FRAMING SECTION - MUSIC EAST EXIT CORRIDOR** 1  
1" = 1'-0"