

ADDENDUM NO. SIX

to
Contract Documents for

**ATHLETIC IMPROVEMENTS FOR
BRUNSWICK COUNTY SCHOOLS
(WBHS FIELDHOUSE)**

Date: **May 06, 2020**

Boomerang Design

Project No.: 1716 File: B-8.2



6131 Falls of Neuse, Suite 204
Raleigh, North Carolina 27609

NOTICE TO BIDDERS:

This addendum is issued pursuant to the General Conditions of the Contract for Construction, and is hereby made a part of the Contract Documents.

The addendum serves to clarify, revise, and supersede information in the Project Manual, the Drawings and Addenda (if any), which have previously been issued. It should be bound in the Project Manual for the project.

Bidders shall acknowledge receipt of this Addendum in the appropriate space on the Bid Form.

GENERAL

Bid Date Change - Bid Date is now May 28, 2020 @ 2:00 pm.

As stated in the Pre-Bid Meeting, the temporary roadway and all underground crossings must be installed and ready for use no later than August 19, 2020.

ITEMS PERTAINING TO THE PROJECT MANUAL:

SECTION 00 42 13 – BID FORM – SINGLE PRIME CONTRACT

Replace bid form with revised bid form included with this Addendum #6.

SECTION 00 71 03 – OWNER-CONTRACTOR AGREEMENT

Replace section 00 71 03 with revised section included with this Addendum #6

ITEMS PERTAINING TO THE DRAWINGS:

Sheet CS-101 – See revised sheet CS-101 for revisions to parking at fieldhouse.

Sheet A001 – See revised sheet A001 for revisions to parking at fieldhouse.

Sheet A104 – See revised sheet for addition of roof crickets at mechanical units.

Sheet A401 – See revised sheet for corrections to Detail 8

Sheet A402 and A403 – Grade elevations depicted in wall sections should be as shown on Detail 9/A502

Sheet A501 – See revised sheet A501 for height adjustment to serving counter in Detail 1.

Sheet A502 – See revised sheet for revisions to Details 1 and 4. Wall canopy attachment must be sleeved through veneer to transfer load to CMU wall. Anchor to be sized and designed by wall canopy manufacturer.

Sheet A503 – See revised sheet A503 for revisions to details 2 and 8.

END OF ADDENDUM 06

Athletic Improvements for WBHS:

Brunswick County Schools
Brunswick County, North Carolina

Bidder: _____

BASE BID, SINGLE-PRIME (ALL TRADES) CONTRACT

The undersigned Bidder, having carefully examined the Bidding Requirements, Agreement, Conditions of the Contract, Drawings, Specifications, and all subsequent Addenda as prepared by Boomerang Design, having visited the site, and being familiar with all conditions and requirements of the Work, hereby agrees to furnish all material, labor, equipment and services, including all scheduled Allowances, necessary to complete the construction of:
Single-Prime (all trades) Contract

for the above-named project, in accordance with the Contract Documents prepared by Boomerang Design, for the sum of:

_____ Dollars (\$ _____)

BID GUARANTEE

The undersigned Bidder agrees to execute a contract for this Work in the above amount and to furnish surety as specified within 10 days after Notice of Award, if offered within 60 days after receipt of bids, and upon failure to do so agrees to forfeit to the Owner the attached cash, cashier's check, certified check, U. S. money order, or bid bond, as liquidated damages for such failure, in the amount of:

_____ Dollars (\$ _____)

the stated amount constituting five percent (5%) of the Base Bid amount above; otherwise the cash, cashier's check, certified check, U. S. money order, or bid bond shall be returned to the undersigned.

SUBCONTRACTS

Following are subcontractors selected to perform the three major subdivisions of the Work as described in G.S.143-128(a):

	Company Name	License Number
Plumbing Work	_____	_____
HVAC Work	_____	_____
Electrical Work	_____	_____
Site Work	_____	_____

The following companies shall execute subcontracts for the portions of the Work indicated:

	Company Name
Masonry Work	_____
Roofing Work	_____

TIME OF COMPLETION

The undersigned Bidder proposes and agrees hereby to commence the Work of the Contract Documents on a date specified in a written Notice to Proceed to be issued by the Architect and shall fully complete all work for the project as a whole within the time indicated in the General Conditions. Applicable liquidated direct damages shall be as stated in the General Conditions.

ACKNOWLEDGEMENT OF ADDENDA

The undersigned Bidder acknowledges the receipt of and use of the following Addenda in the preparation of this Bid:

Addendum No. 1, dated _____	Addendum No. 2, dated _____
Addendum No. 3, dated _____	Addendum No. 4, dated _____
Addendum No. 5, dated _____	Addendum No. 6, dated _____

BID SUPPLEMENTS

Attached to this Bid Form and incorporated herein are the following documents, completed in full by the undersigned:

- Bid Form Supplement - Minority Business Participation - Affidavit of Good Faith Effort
- Bid Form Supplement - Allowances
- Bid Form Supplement - Alternates
- Bid Form Supplement - Unit Prices
- Bid Form Supplement: Bid Security
- E-Verify Affidavit

CONTRACTOR'S LICENSE

The undersigned further states that he is a duly licensed Contractor, for the type of work proposed, in the State of North Carolina, and that all fees, permits, etc., pursuant to the submission of this proposal have been paid in full.

SUBMISSION OF BID

Respectfully submitted this ____ day of _____, 20____

Witness:

Attest:

By: _____

Title: _____

(Corporate Secretary or Assistant Secretary Only)

(Affix Corporate Seal Here)

By: _____
(Name of bidding firm or corporation)

By: _____
(Signature)

(Type or print name)

Title: _____
(Owner/Partner/President/Vice Pres.)

Address: _____

Phone: _____

Fax: _____

License: _____

Federal ID No.: _____

END OF DOCUMENT 00 42 13

OWNER-CONTRACTOR AGREEMENT

PROJECT NAME: Athletic Improvements for Brunswick County Schools – Bid Package #2

SCHOOL NAME: West Brunswick High School

THIS AGREEMENT, in four (4) copies, made this ____ day of _____, Two Thousand and Twenty by and between the County of Brunswick, North Carolina (herein referred to as the "Owner"), whose mailing address is 30 Government Center Drive, NE Bolivia NC 284225 Referendum Drive NE, Bolivia, NC 28422 and _____ (herein referred to as the "Contractor"), whose mailing address is _____. Correspondence, submittals, and notices relating to or required under this Contract shall be sent in writing to the above addresses; unless either party is notified in writing by the other, of a change in address.

WITNESSETH:

WHEREAS, it is the intent of the Owner to obtain the services of the Contractor in connection with the construction of Athletic Improvements for Brunswick County Schools, hereinafter referred to as the "Project" or the "Work"; and

WHEREAS, the Contractor desires to perform such construction in accordance with the terms and conditions of this Agreement,

NOW, THEREFORE, in consideration of the promises made herein and other good and valuable consideration, the following terms and conditions are hereby mutually agreed to, by and between the Owner and Contractor:

Article 1

DEFINITIONS

- 1.1 All terms in this Agreement which are defined in the Information for Bidders and the General Conditions shall have the meanings designated therein.

- 1.2 The Contract Documents are as defined in the General Conditions. Such documents form the Contract, and all are as fully a part thereof as if attached to this Agreement or repeated herein.

Article 2

STATEMENT OF THE WORK

2.1 The Project is the Work identified in the plans and specifications prepared by Boomerang Design dated 24 February 2020 for the County of Brunswick, including the following addenda:

Addendum No. 1 with attachments dated _____

Addendum No. 2 with attachments dated _____

Addendum No. 3 with attachments dated _____

Addendum No. 4 with attachments dated _____

Addendum No. 5 with attachments dated _____

Addendum No. 6 with attachments dated _____

2.2 The Parties agree that the Project shall include the following alternates:

Alt. No. 1-Owner's Preferred Hardware Package \$ _____

Alt. No. 2-Owner's Preferred Controls Manufacturer \$ _____

Alt. No. 3-Polished Concrete Floor Finish \$ _____

Alt. No. 4-Owner's Preferred Video Surveillance System \$ _____

Alt. No. 5-Owner's preferred Fire Alarm Communicator \$ _____

2.3 The Parties agree to the following modifications to the Project's plans and specifications:

In Section V General Conditions Paragraph 9.3.2 replace *10 percent (10%)* with *5 percent (5%)*.

2.4 The Contractor shall provide and pay for all materials, tools, equipment, labor and professional and non-professional services, and shall perform all other acts and supply all other things necessary, to fully and properly perform and complete the Work, as required by the Contract Documents.

2.2 The Contractor shall further provide and pay for all related facilities described in any of the Contract Documents, including all work expressly specified therein and such additional work as may be reasonably inferred therefrom, saving and excepting only such items of work as are specifically stated in the Contract Documents not to be the obligation of the Contractor. The totality of the obligations imposed upon the contractor by this Article and by all other provisions of the Contract Documents, as well as the structures to be built and the labor to be performed, is herein referred to as the "Work".

Article 3

DESIGN CONSULTANT

- 3.1 The Design Consultant (as defined in the General Conditions) shall be Boomerang Design whose address is 6131 Falls of Neuse Road, Suite 204, Raleigh, NC 27609, however, that the Owner may, without liability to the Contractor, unilaterally amend this Article from time to time by designating a different person or organization to act as its Design Consultant and so advising the Contractor in writing, at which time the person or organization so designated shall be the Design Consultant for purposes of this Contract.

Article 4

TIME OF COMMENCEMENT AND COMPLETION

- 4.1 The Contractor shall commence the Work promptly upon the date established in the Notice to Proceed. If there is no Notice to Proceed, the date of commencement of the Work shall be the date of this Agreement or such other date as may be established herein.
- 4.2 Time is of the essence. The Contractor shall achieve Final Completion, as defined in the General Conditions on or before the date established for Final Completion in the Supplementary Conditions.
- 4.3 The Supplementary Conditions contains certain specific dates that shall be adhered to and are the last acceptable dates unless modified in writing by mutual agreement between the Contractor and the Owner. All dates indicate midnight unless otherwise stipulated. The only exceptions to this schedule are defined in the General Conditions under 8.3 DELAYS AND EXTENSIONS OF TIME.
- 4.4 Should the Contractor fail to complete the Work on or before the dates stipulated for Substantial Completion and/or Final Completion, or such later date as may result from an extension of time granted by the Owner, he shall pay the Owner, as liquidated damages the sums set forth in the General and Supplementary Conditions.

Article 5

CONTRACT SUM

5.1 Provided that the Contractor shall strictly and completely perform all of its obligations under the Contract Documents, and subject only to additions and deductions by Modification or as otherwise provided in the Contract Documents, the Owner shall pay to the Contractor, in current funds and at the time and in the installments hereinafter specified, the sum of _____ Dollars (\$ _____) herein referred to as the "Contract Sum". This amount includes the based bid and the Alternates in Section 2.2.

5.2 Unit Prices are established as follows for the Project:

Unit Price No. 2.1	Unsatisfactory Soils Excavation and Replacement with Clean Sand (Mass)	\$_____/cu. yd.
Unit Price No. 2.2	Unsatisfactory Soils Excavation and Replacement with #57 Washed Stone (Trench and Footings)	\$_____/cu. yd.
Unit Price No. 2.3	Provide and Install Geotextile Fabric	\$_____/sq. yd.
Unit Price No. 7.1	Ceiling Access Panels	\$_____/unit

Article 6

PROGRESS PAYMENTS

- 6.1 The Contractor hereby agrees that on or about the First day of the month for every month during the performance of the Work he will deliver to the Owner's Design Consultant an Application for Payment in accordance with the provisions of Article 9 of the General Conditions. This date may be changed upon mutual agreement, stated in writing, between the Owner and Contractor. Payment under this Contract shall be made as provided in the General Conditions, except that the 10% retainage held shall be reduced to 5%. Payments due and unpaid under the Contract Documents shall not bear interest.

Article 7

OTHER REQUIREMENTS

- 7.1 The Contractor shall submit the Performance Bond, Labor and Material Payment Bond and Certification of Insurance as required by the Contract Documents.
- 7.2 The Owner shall furnish to the Contractor Five set(s) of drawings and Five set(s) of specifications, at no extra cost, for use in the Construction of the Work. Additional sets of drawings or specifications may be obtained by the Contractor by paying the Owner for the costs of reproduction, handling and mailing.
- 7.3 The Contractor will make a good faith effort to utilize Minority Business Enterprises (MBEs) per N.C. Gen. Stat. 143-128 as subcontractors in the performance of this contract.

IN WITNESS WHEREOF, the County Of Brunswick, North Carolina (hereinbefore called the "Owner") has caused these presents to be signed and its corporate seal to be hereunto affixed, attested by its Chairperson and Secretary, and _____ (hereinbefore called "Contractor") has caused these presents to be signed by its President and its Corporate seal to be hereunto affixed, as hereinafter attested, all as of the day and year first above written.

COUNTY OF BRUNSWICK, NORTH CAROLINA

_____(Seal)

County Manager

_____(Seal)

Clerk to the Board of Commissioners

This contract was approved by the Board on the ____ day of _____, 2020.

_____(Contractor Name)

By: _____

_____(Print Name), President or Vice-President

ATTEST:

Corporate Secretary

[Corporate Seal]

This Instrument Has Been Preaudited In The Manner Required By The School Budget And Fiscal Control Act	This Instrument Has Been Preaudited In The Manner Required By The Local Government Budget And Fiscal Control Act
Freyja Cahill, Finance Officer Brunswick County Schools	Julie A. Miller,, Director Of Fiscal Operations, Brunswick County, North Carolina



ATHLETIC IMPROVEMENTS FOR BRUNSWICK COUNTY SCHOOLS

PROJECT TITLE

1. THIS DRAWING IS THE PROPERTY AND ©BOOMERANG DESIGN P.A. AND IS NOT TO BE REPRODUCED OR COPIED IN WHOLE OR IN PART. IT IS NOT TO BE USED ON ANY OTHER PROJECT AND IS TO BE RETURNED ON REQUEST.

2. MATERIALS, DIMENSIONS AND ALL OTHER CONDITIONS WHICH ARE NOT OTHERWISE SPECIFIED ON THIS DRAWING SHALL BE CONSIDERED AS HAVING THE SAME MEANING AS SIMILARLY INDICATED CONDITIONS WHICH ARE MORE FULLY DEFINED ELSEWHERE ON THIS PROJECT OR OTHER DRAWINGS OF THIS PROJECT.

3. DO NOT SCALE OFF DIMENSIONS.

NO.	DATE	DESCRIPTION
1	5/06/2020	Addendum 06

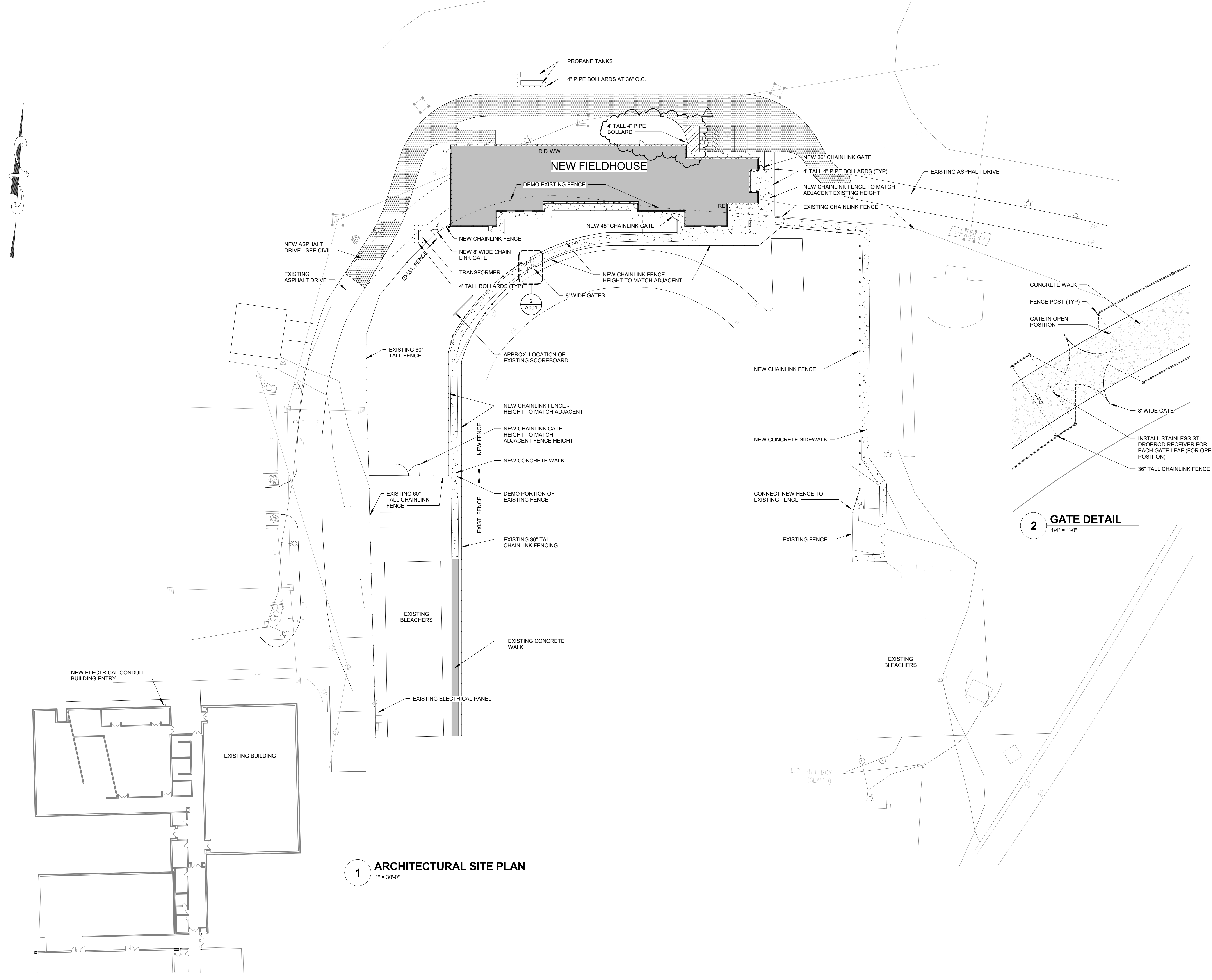
BID
PROJECT PHASE

1716
BOOMERANG DESIGN PROJECT NUMBER

2-24-2020
DRAWING RELEASE DATE

ARCHITECTURAL SITE PLAN
SHEET TITLE

A001
SHEET



1 ARCHITECTURAL SITE PLAN
1" = 30'-0"

2 GATE DETAIL
1/4" = 1'-0"

GENERAL ROOF PLAN NOTES

1. THE GENERAL CONTRACTOR SHALL FURNISH, INSTALL, AND FLASH ALL ROOF CURBS FOR MECHANICAL EQUIPMENT, PLUMBING VENTS, ETC. SEE PLUMBING DRAWINGS FOR LOCATIONS OF VENTS. SEE MECHANICAL DRAWINGS FOR SIZES AND LOCATIONS OF FANS, INTAKES, ETC.
2. SEE PM&E DRAWINGS FOR ADDITIONAL PENETRATIONS NOT SHOWN ON ROOF PLANS.
3. THE CONTRACTOR IS RESPONSIBLE TO BECOME FAMILIAR WITH WALL CONSTRUCTIONS REPRESENTED ON OTHER DRAWINGS AND TO CONSTRUCT IN ACCORDANCE WITH THE APPROPRIATE DETAIL.
4. ARROWS INDICATE DIRECTION OF ROOF SLOPE AS SPECIFIED. PROVIDE MINIMUM 1/4" PER 1'-0" SLOPE. SEE STRUCTURAL DRAWINGS FOR SLOPING STRUCTURE.
5. CUT FLAGS AND THE RELATED DETAILS DO NOT NECESSARILY REPRESENT ALL CONDITIONS FOR A PARTICULAR WALL OR EDGE.
6. LOCATE ALL ROOFTOP EQUIPMENT A MINIMUM OF 6'-0" FROM THE BUILDING EDGE TO COMPLY WITH SECTION 1015.6.
7. ALL DOWNSPOUTS (D.S.) SHALL BE 5" x 4" UNLESS NOTED OTHERWISE.
8. SEE 02/A104 FOR TYPICAL VENT THRU ROOF FLASHING DETAIL.

ROOF SYMBOL LEGEND

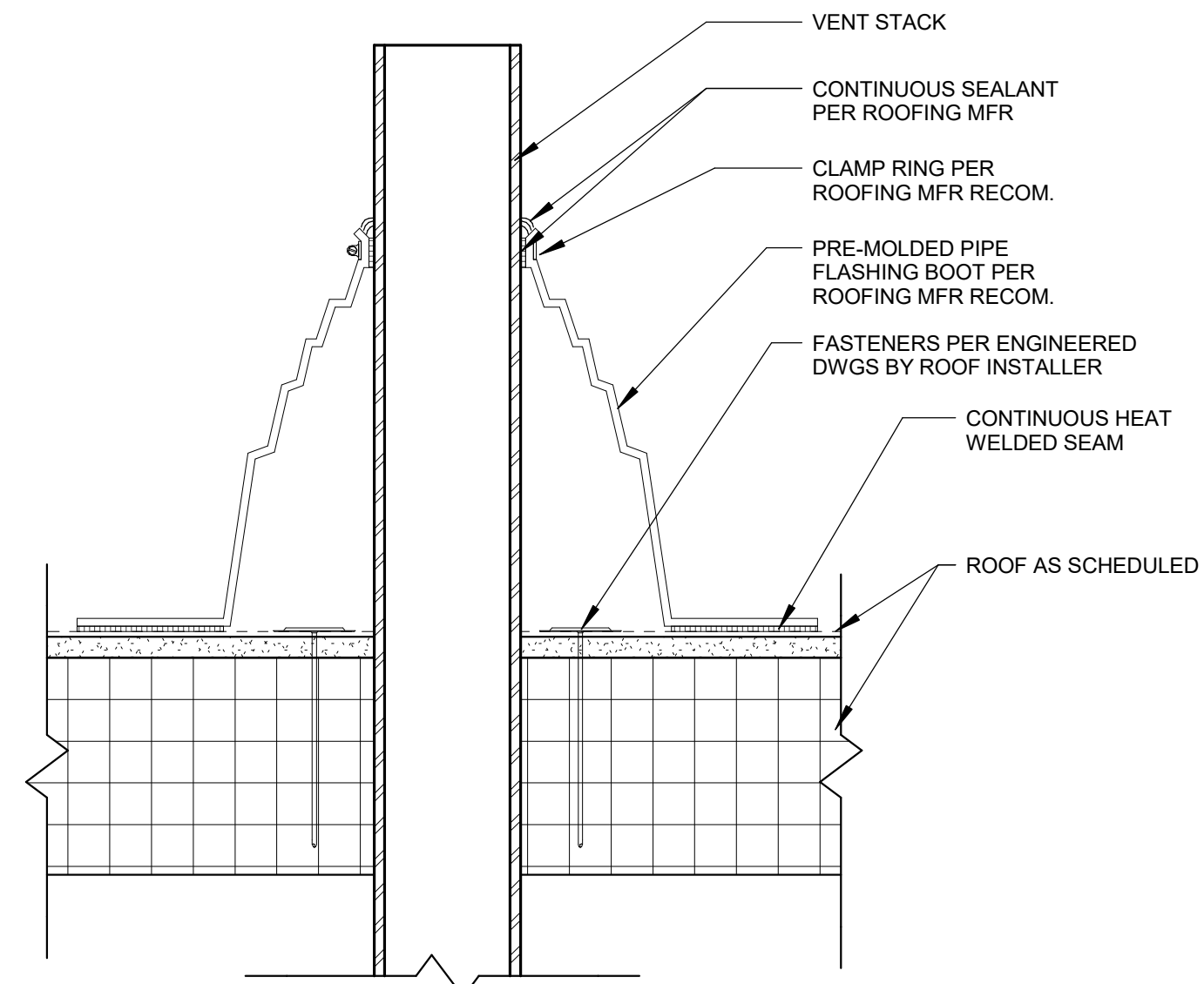
	VTR	VENT THRU ROOF PROVIDE CRICKET AS REQUIRED
	DS	DOWNSPOUT
	TWS	THRU-WALL SCUPPER
	MECH EXHAUST FAN	PROVIDE CRICKET AS REQUIRED
	AREA TO RECEIVE TAPERED INSULATION FOR COMPLETE ROOF DRAINAGE (FIELD MODIFIED AS REQUIRED)	

ROOF GUTTER AND DOWNSPOUT SIZING

BLDG INFO: 100 YEAR FLOOD PLAN / 1 HOUR RAINFALL RATE = X" PER HOUR

ROOF	1	2	3	4
ROOF AREA	1780	4328	1957	2063
DISCHARGE FROM ADJ. ROOF/WALL AREA	NO. * AREA	NO. * AREA	NO. * AREA	NO. * AREA
*SW = SIDEWALL	---	4 2063	---	---
TOTAL ROOF AREA (S.F.)	1780	6391	1957	2063
ROOF DRAIN - PRIMARY (RDL)	REQD. PROVIDE	REQD. PROVIDE	REQD. PROVIDE	REQD. PROVIDE
ROOF DRAIN - SECONDARY (OOL)	---	---	---	---
ROOF DRAIN - DOWNSPOUT (DS)	2 2	5 5	2 2	2 4
GUTTER (X" RISE) (DIAMETER)	6" x 6"	6" x 6"	6" x 6"	6" x 6"
SCUPPER (SIZE)	---	---	---	---

TYPICAL GUTTER SLOPE = 1/8" IN 12"



2 ROOF VENT DETAIL
3" = 1'-0"

MASONRY VENEER - SEE ELEVATIONS

CAVITY WALL INSULATION

EXTERIOR WALL ASSEMBLY

THRU-WALL FLASHING - TERM BAR TO BLOCK WALL

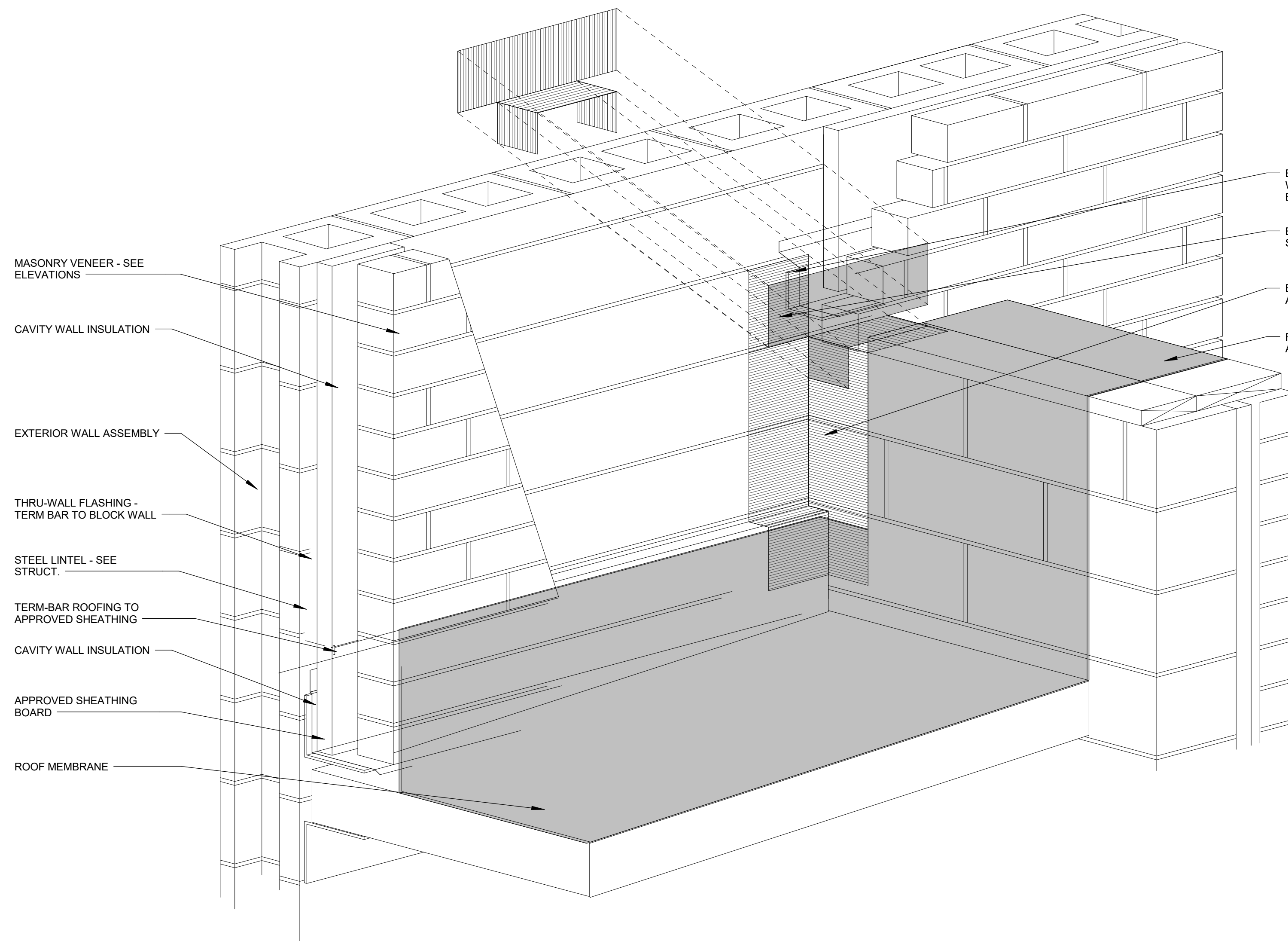
STEEL LINTEL - SEE STRUCT.

TERM-BAR ROOFING TO APPROVED SHEATHING

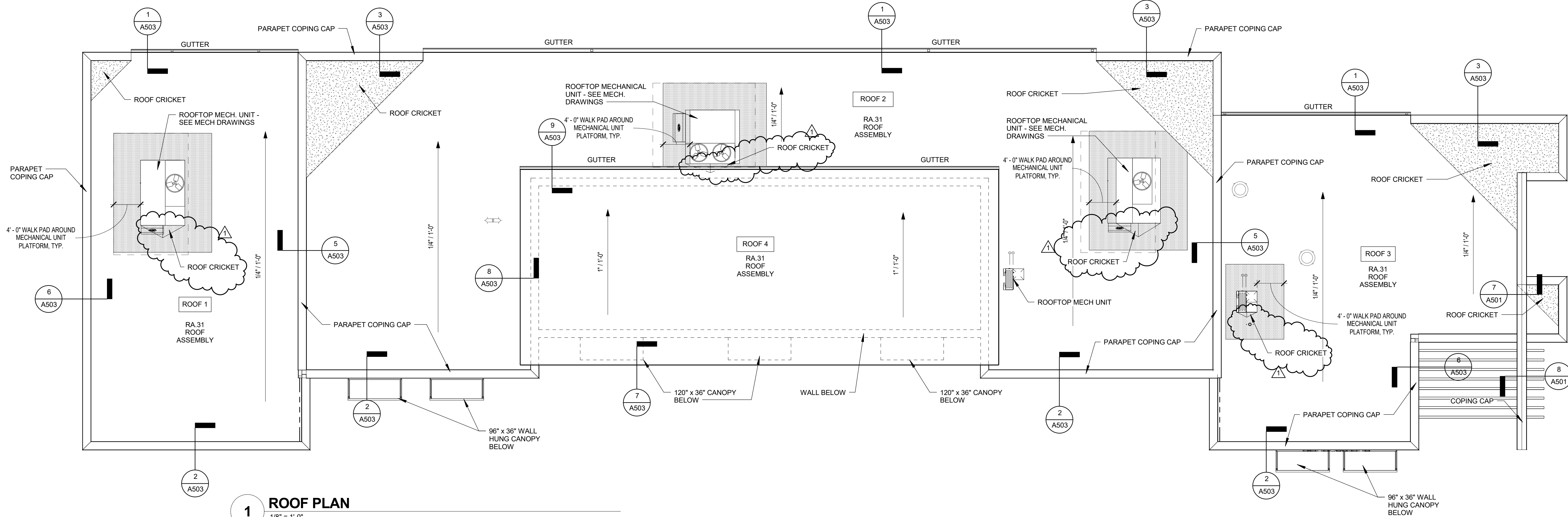
CAVITY WALL INSULATION

APPROVED SHEATHING BOARD

ROOF MEMBRANE



3 TYPICAL PARAPET FLASHING DETAIL
1 1/2" = 1'-0"



1 ROOF PLAN
1/8" = 1'-0"



ATHLETIC IMPROVEMENTS FOR BRUNSWICK COUNTY SCHOOLS

PROJECT TITLE

1. THIS DRAWING IS THE PROPERTY AND COPYRIGHT OF BOOMERANG DESIGN P.A. AND IS NOT TO BE REPRODUCED OR COPIED IN WHOLE OR IN PART. IT IS NOT TO BE USED ON ANY OTHER PROJECT AND IS TO BE RETURNED ON REQUEST.

2. MATERIALS, DIMENSIONS AND ALL OTHER CONDITIONS WHICH ARE NOT OTHERWISE SPECIFIED ON THIS DRAWING SHALL BE CONSIDERED AS HAVING THE SAME MEANING AS SIMILARLY INDICATED CONDITIONS WHICH ARE MORE FULLY DEFINED ELSEWHERE ON THIS PROJECT OR OTHER DRAWINGS OF THIS PROJECT.

3. DO NOT SCALE OFF DIMENSIONS.

REVISIONS

NO.	DATE	DESCRIPTION
1	5/06/2020	Addendum 06

BID
PROJECT PHASE

1716
BOOMERANG DESIGN PROJECT NUMBER

2-24-2020
DRAWING RELEASE DATE

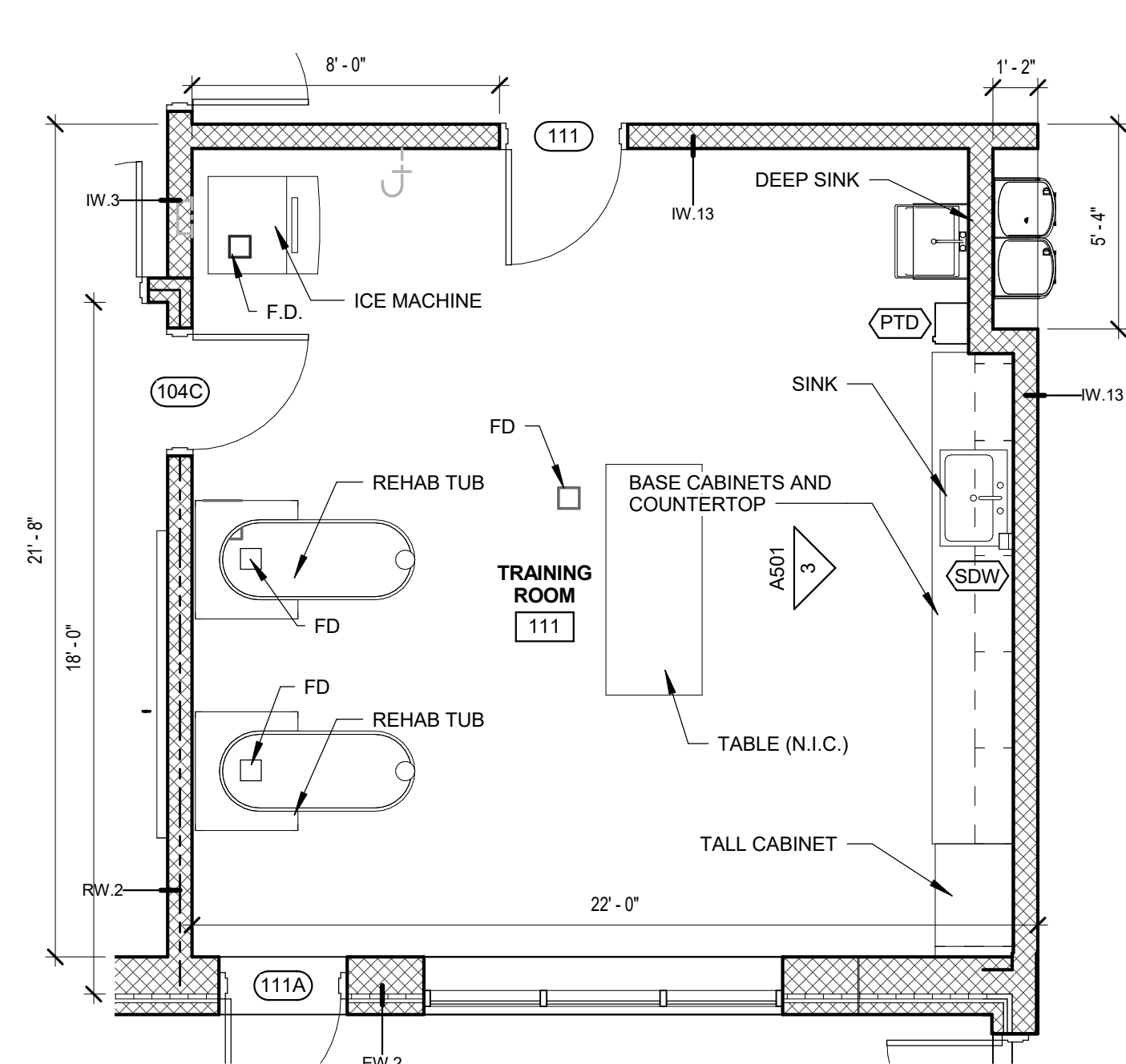
WBHS - STADIUM FIELDHOUSE ROOF PLAN

SHEET TITLE

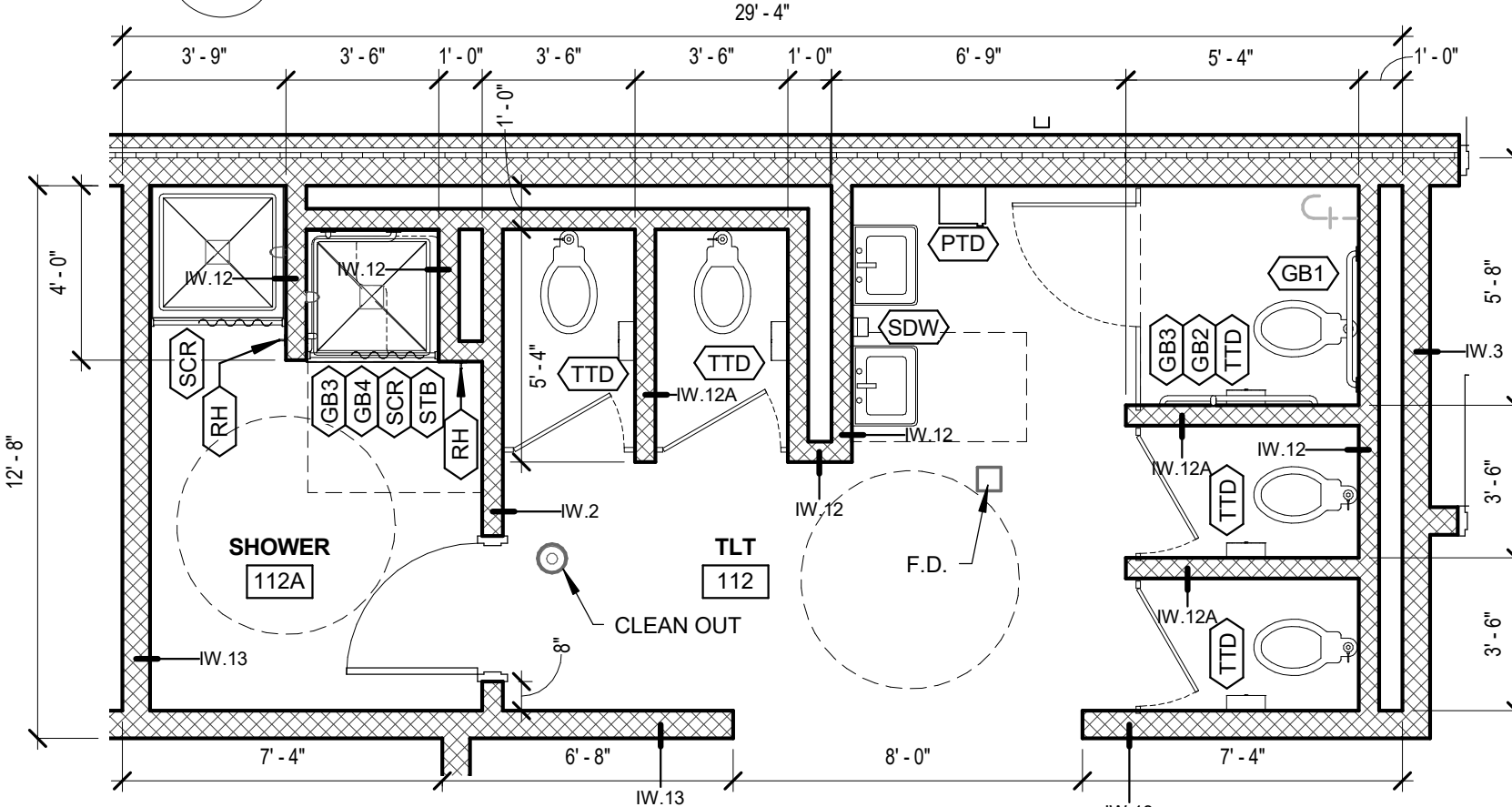
A104

SHEET

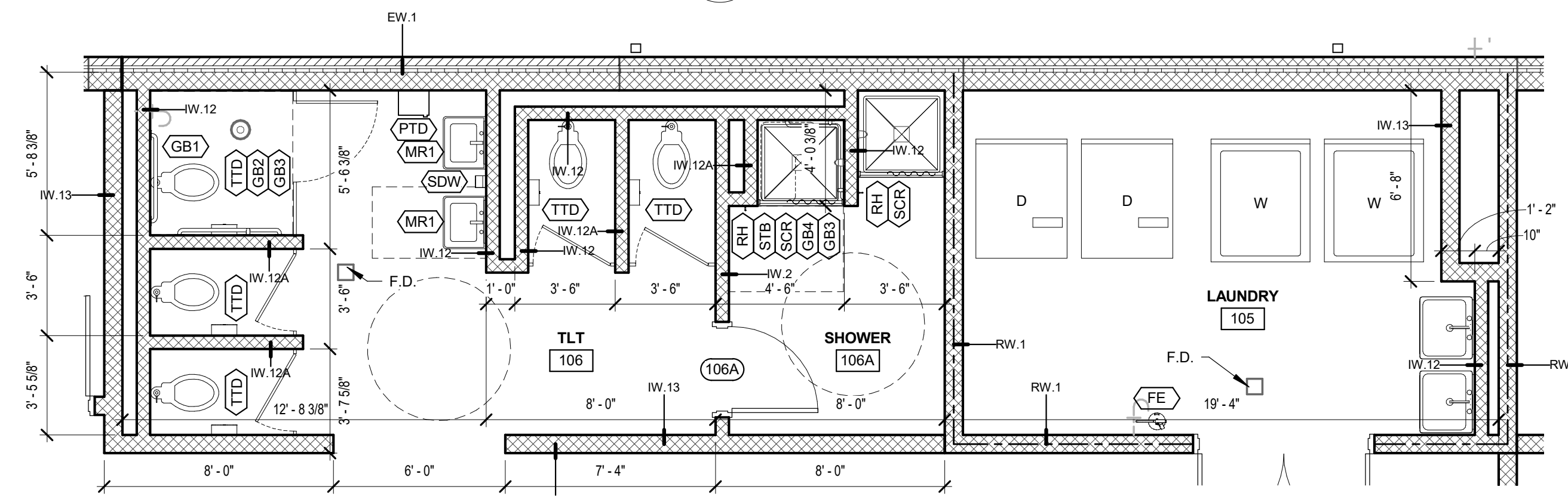
TOILET ACCESSORIES SCHEDULE			
TYPE	DESCRIPTION	PROVD BY	NOTES
GB1	GRAB BAR - 36"	CPCI	
GB2	GRAB BAR - 42"	CPCI	
GB3	GRAB BAR - 18"	CPCI	VERTICAL
GB4	GRAB BAR - 34" X 18"	CPCI	L-SHAPED CORNER
HDR	HOT DOG ROLLER	OPOI	OPOI
MR1	MIRROR - 18" X 36"	CPCI	WALL MOUNTED
MS	MOP SINK	CPCI	
PTD	PAPER TOWEL DISPENSER	OPCI	WALL MOUNTED
RH	ROBE HOOK	CPCI	
SCR	SHOWER CURTAIN & ROD	CPCI	
SDW	SOAP DISPENSER	OPCI	WALL MOUNTED
STB	FOLDING SHOWER TRANSFER BENCH	CPCI	
TTD	TOILET TISSUE DISPENSER	OPCI	



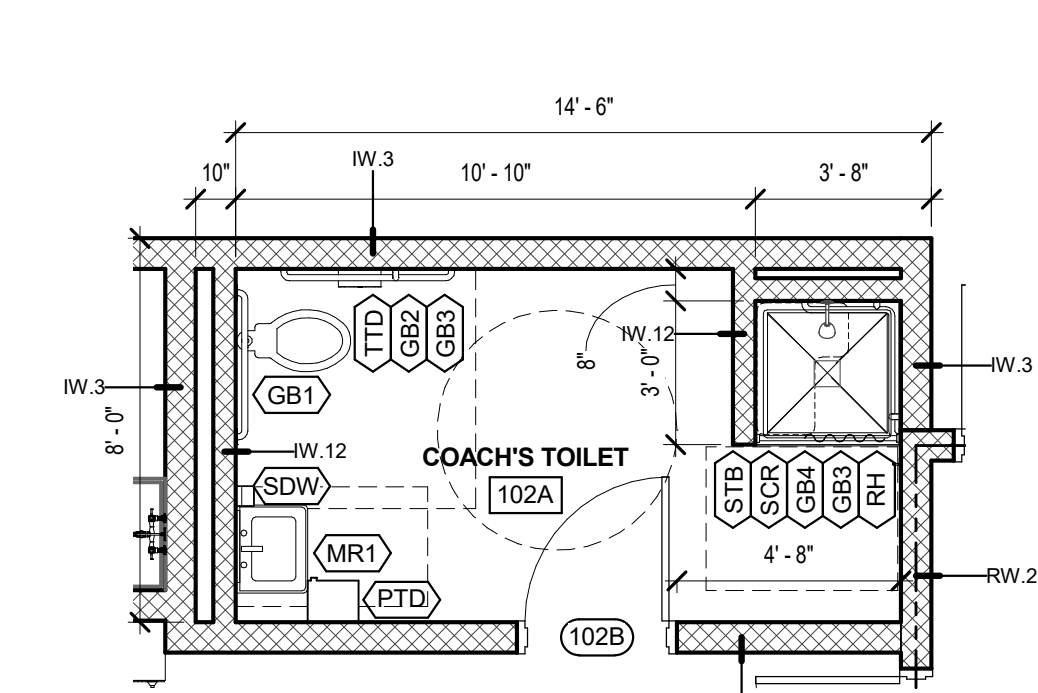
1 WBHS - TRAINING ROOM LAYOUT
1/4" = 1'-0"



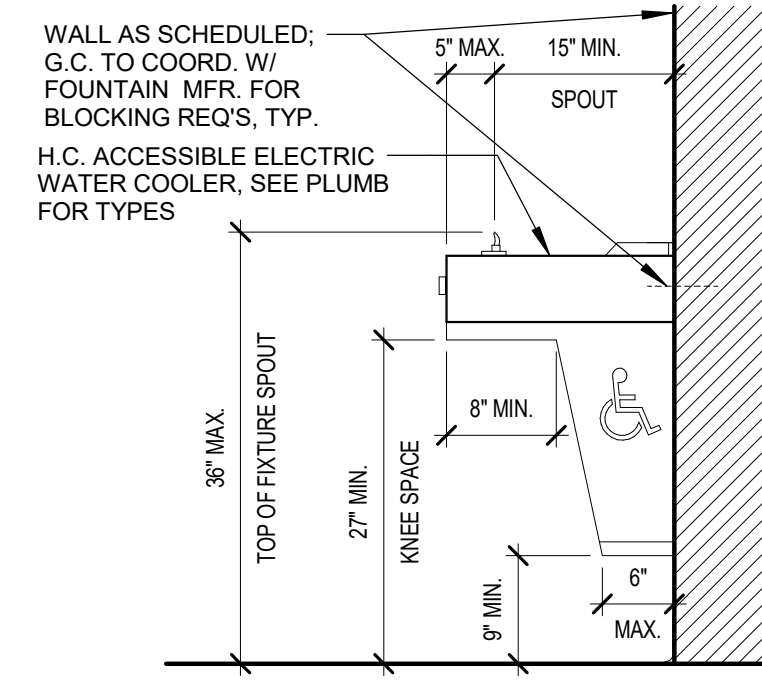
2 WBHS - FIELDHOUSE - TLT LAYOUT
1/4" = 1'-0"



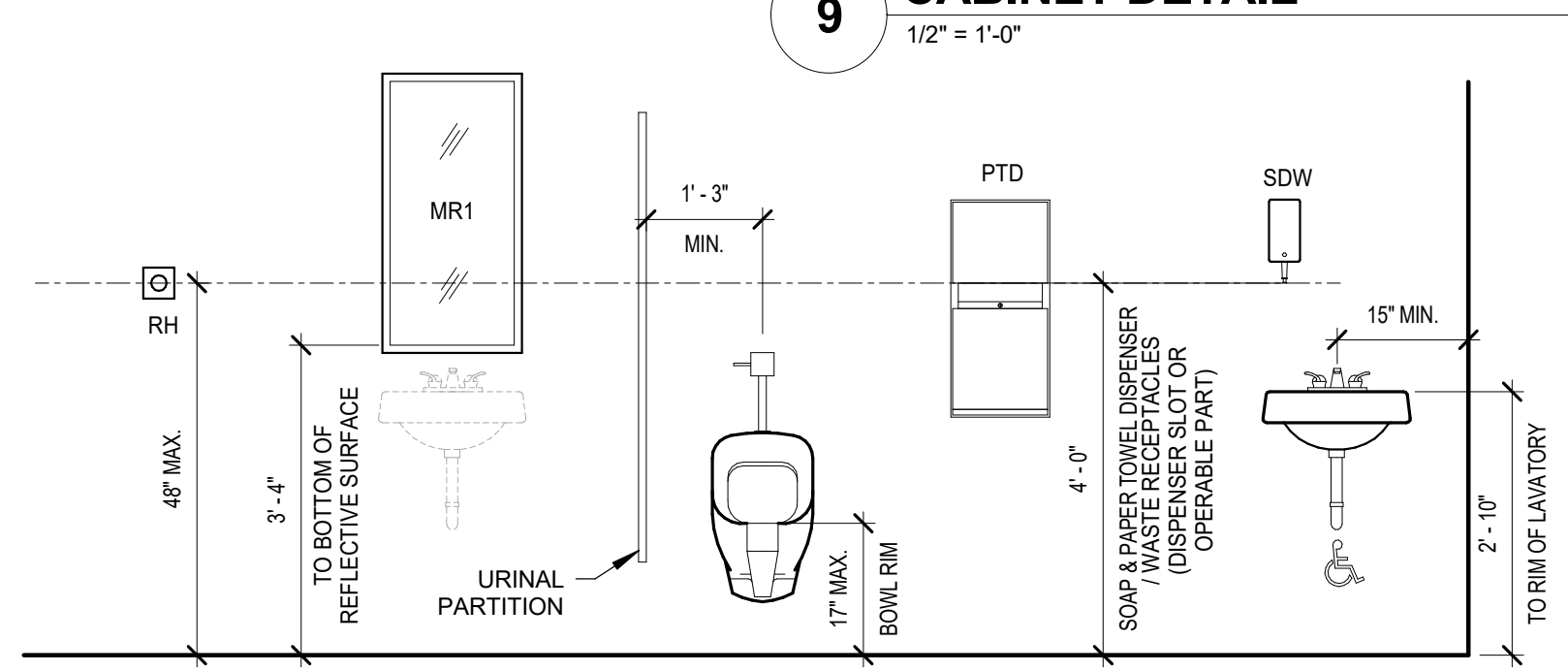
3 WBHS - FIELDHOUSE TLT & LAUNDRY LAYOUT
1/4" = 1'-0"



5 WBHS - FIELDHOUSE - COACH TLT
1/4" = 1'-0"



6 ADA - E.W.C SECTION DETAIL
3/4" = 1'-0"

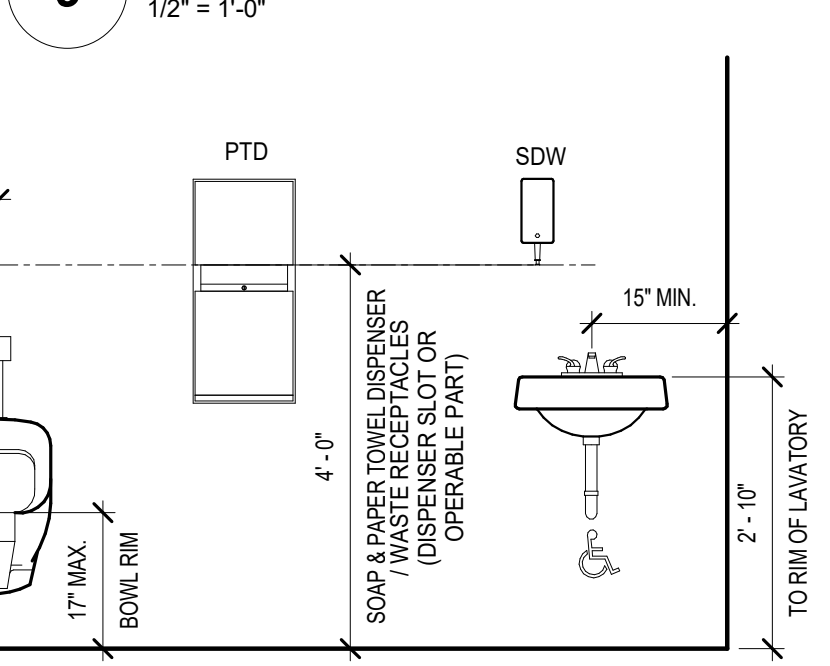


7 TOILET ACCESSORY MOUNTING HEIGHTS
1/2" = 1'-0"

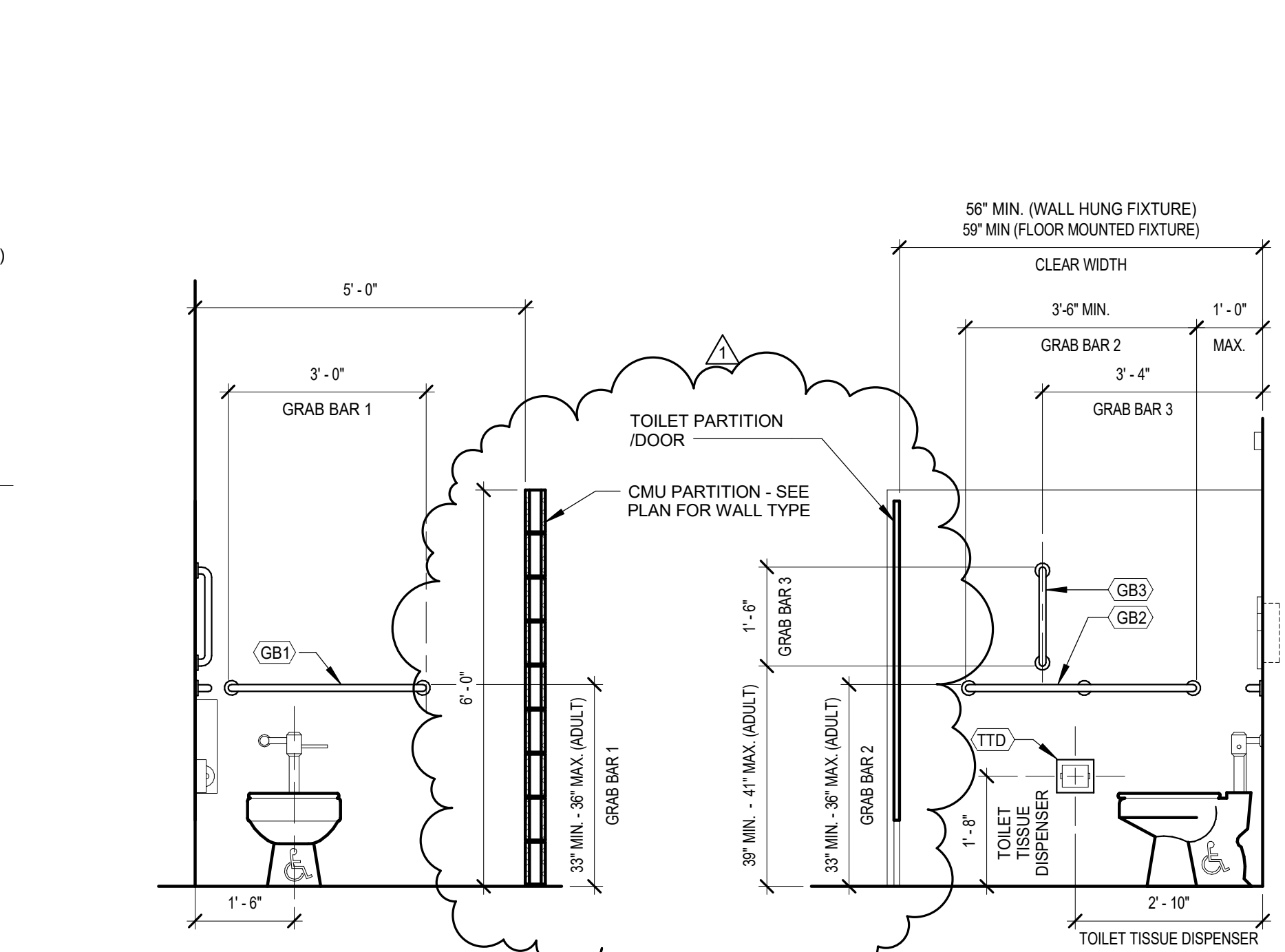
4 CONCESSION/TOILET ROOMS LARGE SCALE PLAN
1/4" = 1'-0"

CONCESSIONS EQUIPMENT LIST	
DRINK MERCHANDISER	OPOI
SMALL WARMER	OPOI
LARGE WARMER	OPOI
HOT DOG ROLLER	OPOI
POPCORN MACHINE	OPOI
REFRIGERATOR	OPOI
WALL HUNG MICROWAVE	OPCI
ICE MACHINE	CPCI

9 CABINET DETAIL
1/2" = 1'-0"



8 ADA TOILET COMPARTMENT EQUIPMENT MOUNTING HEIGHTS
1/2" = 1'-0"

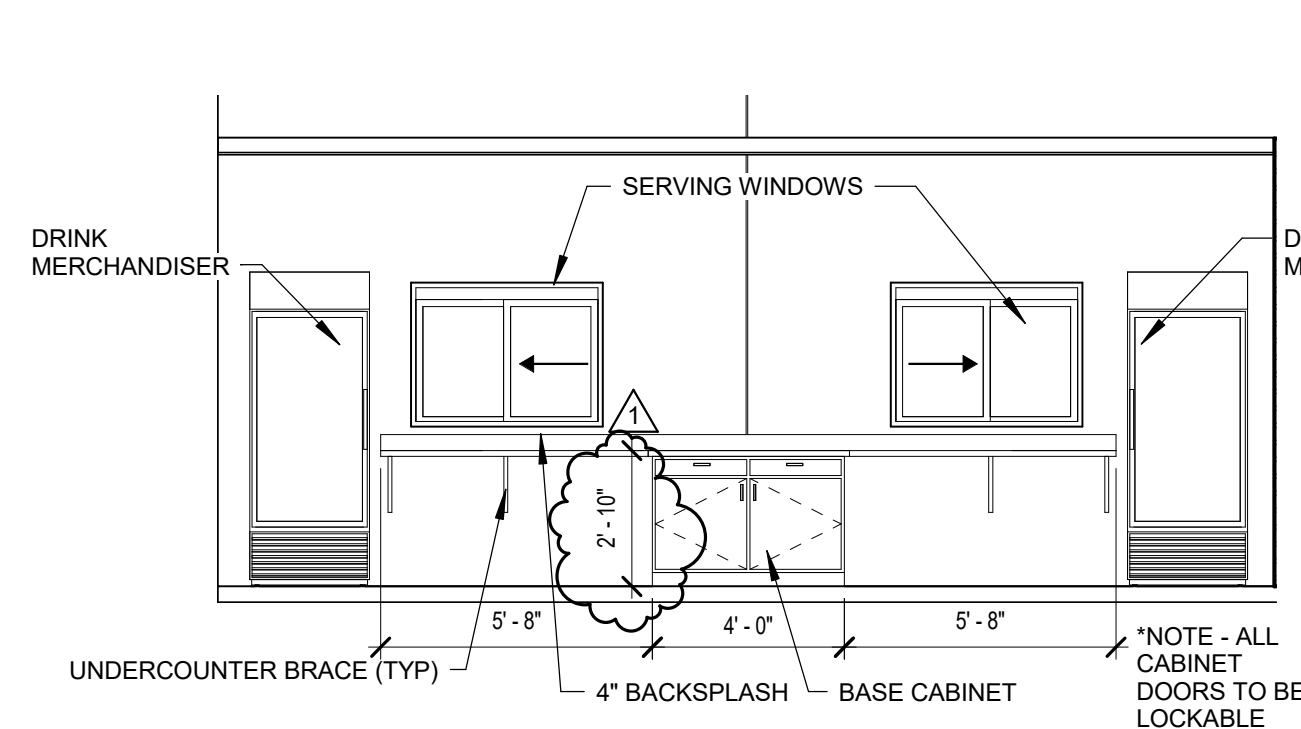


1. THIS DRAWING IS THE PROPERTY AND COPYRIGHT OF BOOMERANG DESIGN P.A. AND IS NOT TO BE REPRODUCED OR COPIED IN WHOLE OR IN PART. IT IS NOT TO BE USED ON ANY OTHER PROJECT AND IS TO BE RETURNED ON REQUEST.

2. MATERIALS, DIMENSIONS AND ALL OTHER CONDITIONS WHICH ARE NOT OTHERWISE SPECIFIED ON THIS DRAWING SHALL BE CONSIDERED AS HAVING THE SAME MEANING AS SIMILARLY INDICATED CONDITIONS WHICH ARE MORE FULLY DEFINED ELSEWHERE ON THIS PROJECT OR OTHER DRAWINGS OF THIS PROJECT.

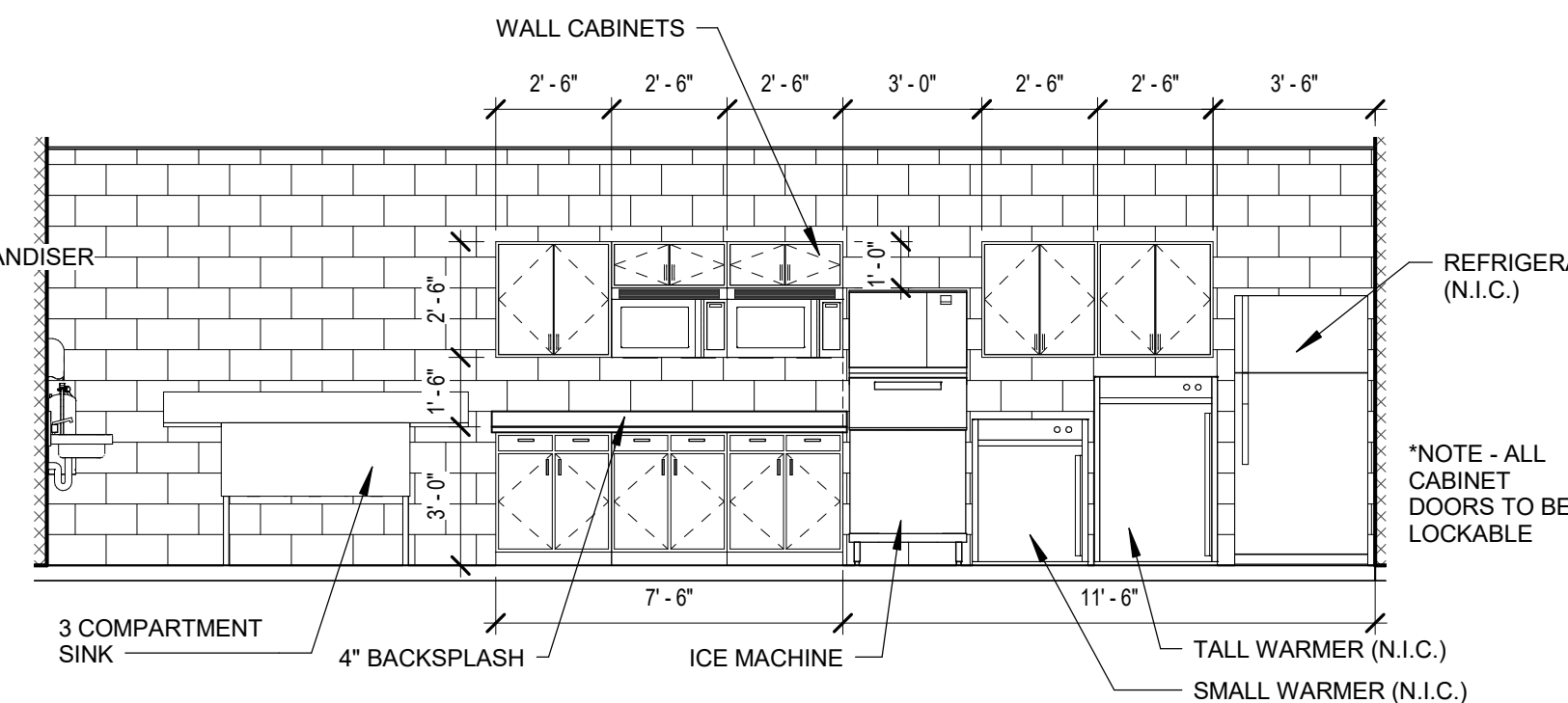
3. DO NOT SCALE OFF DIMENSIONS.

REVISIONS		
NO.	DATE	DESCRIPTION
1	5/06/2020	Addendum 06



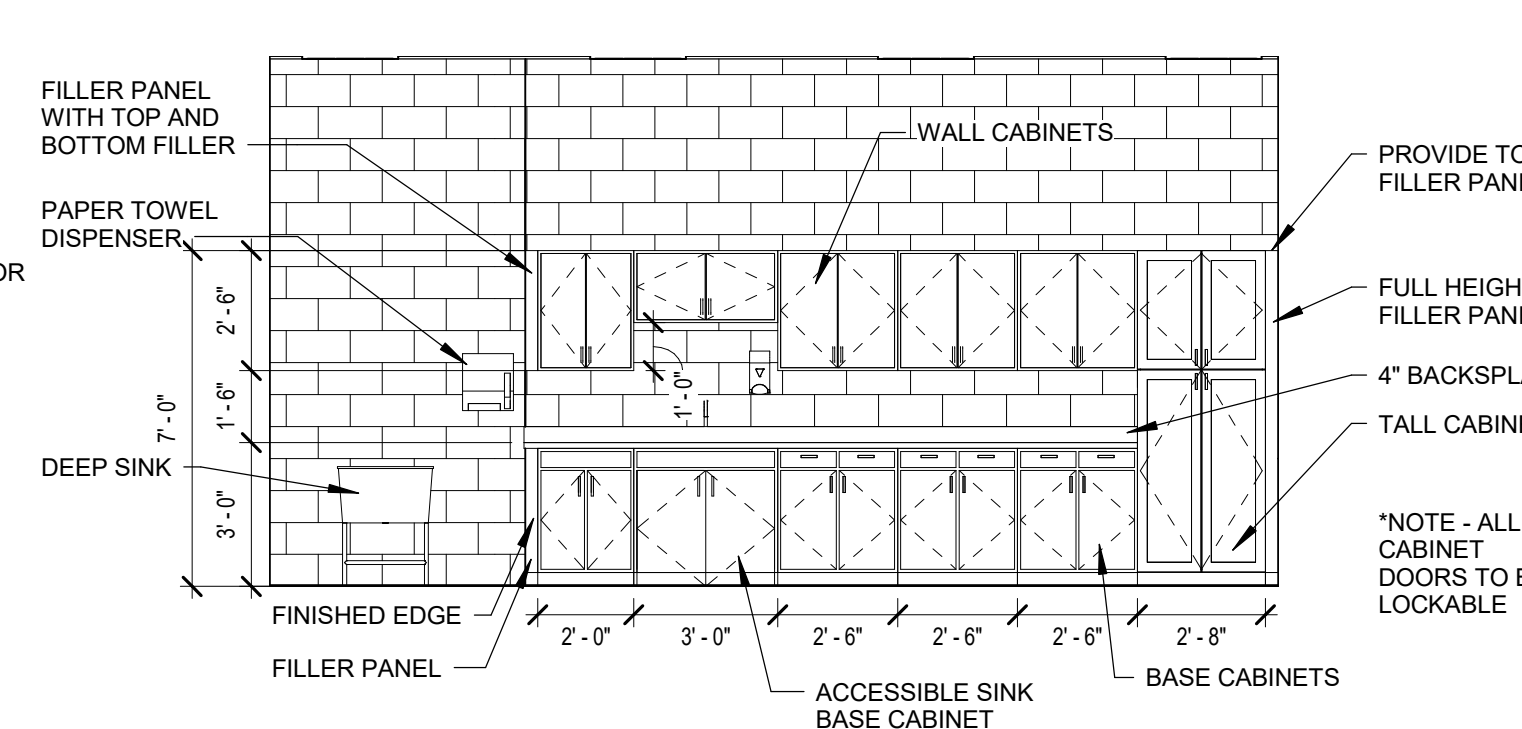
1 CONCESSION SERVING

1/4" = 1'-0"



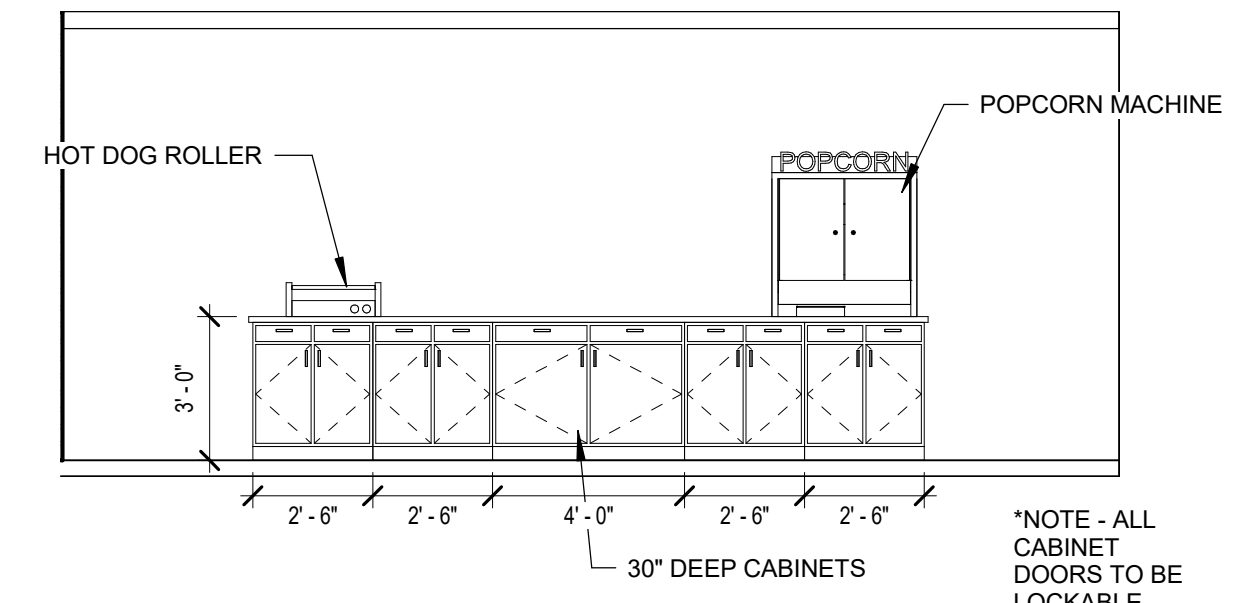
2 INTERIOR ELEVATION - CONCESSIONS

1/4" = 1'-0"



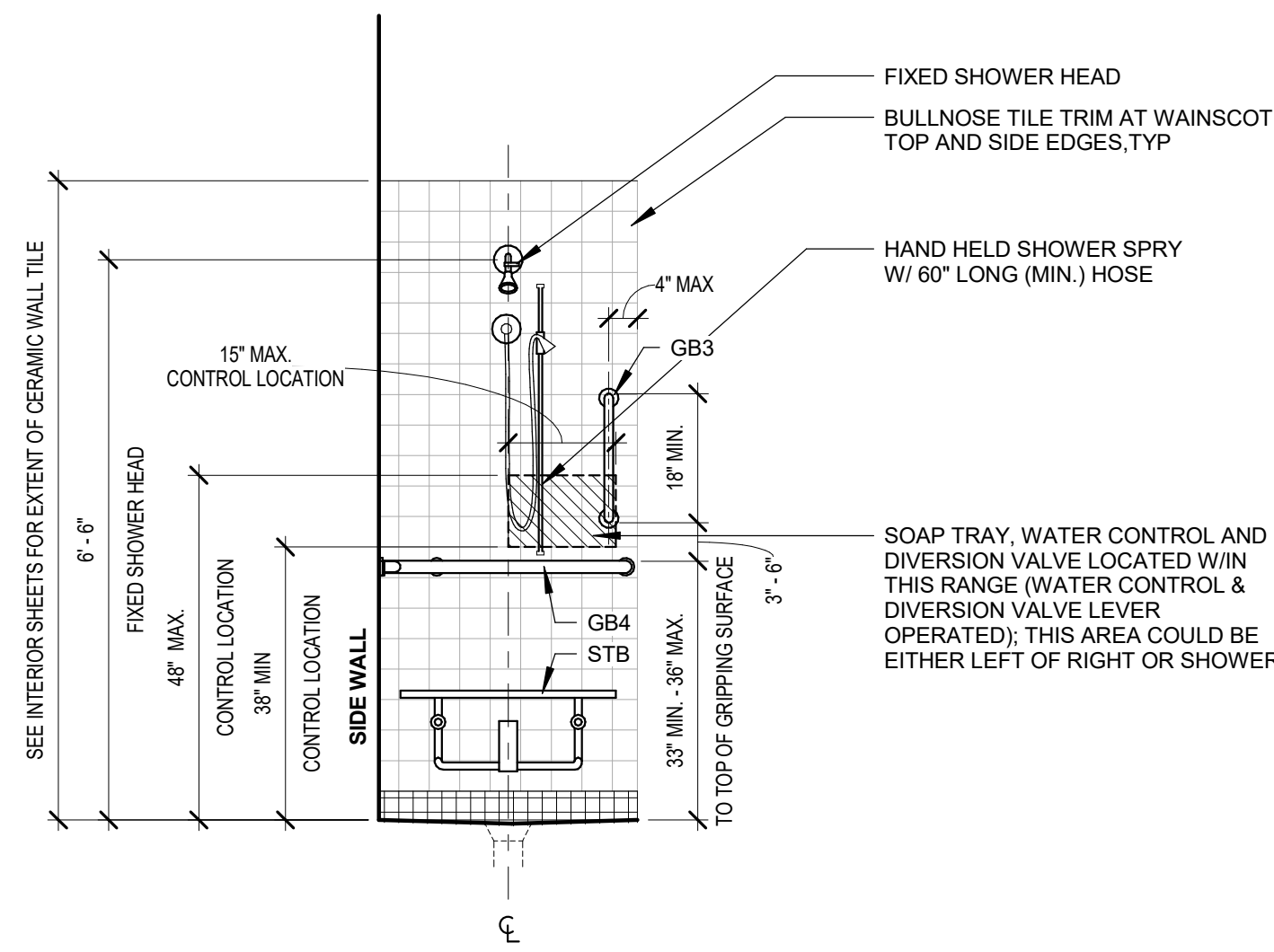
3 INTERIOR ELEVATION - TRAINING ROOM

1/4" = 1'-0"



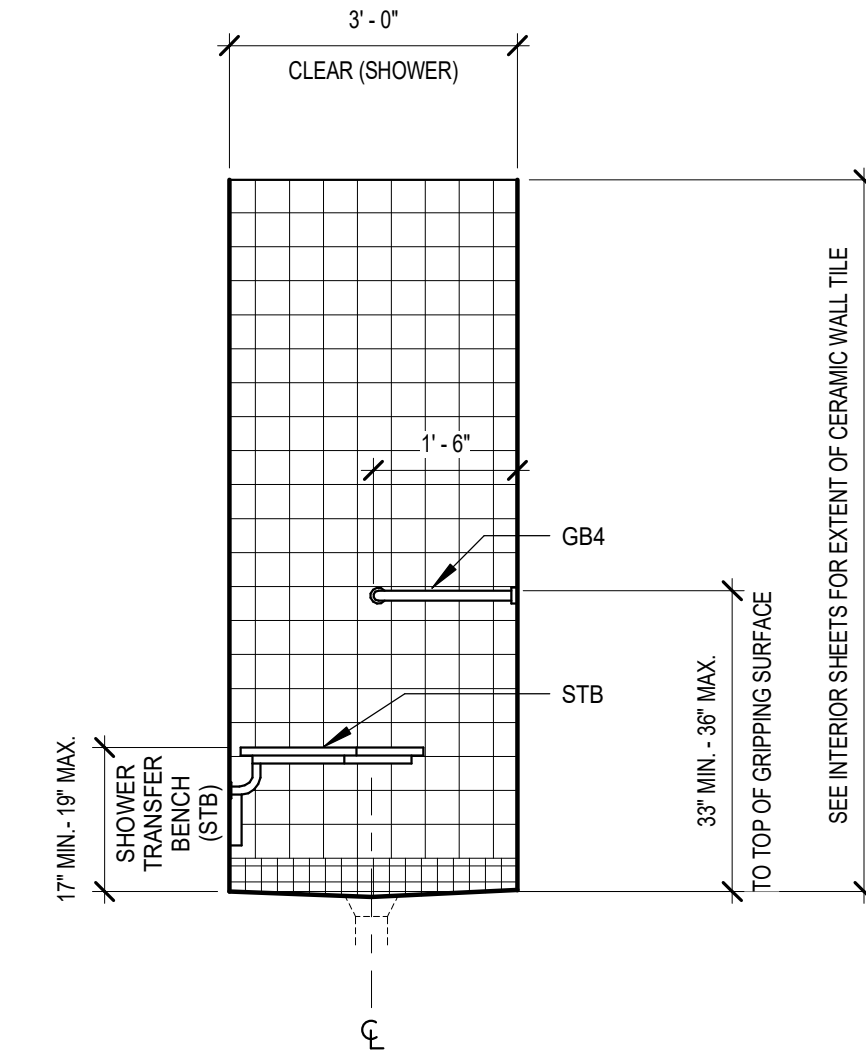
4 CONCESSION ISLAND

1/4" = 1'-0"



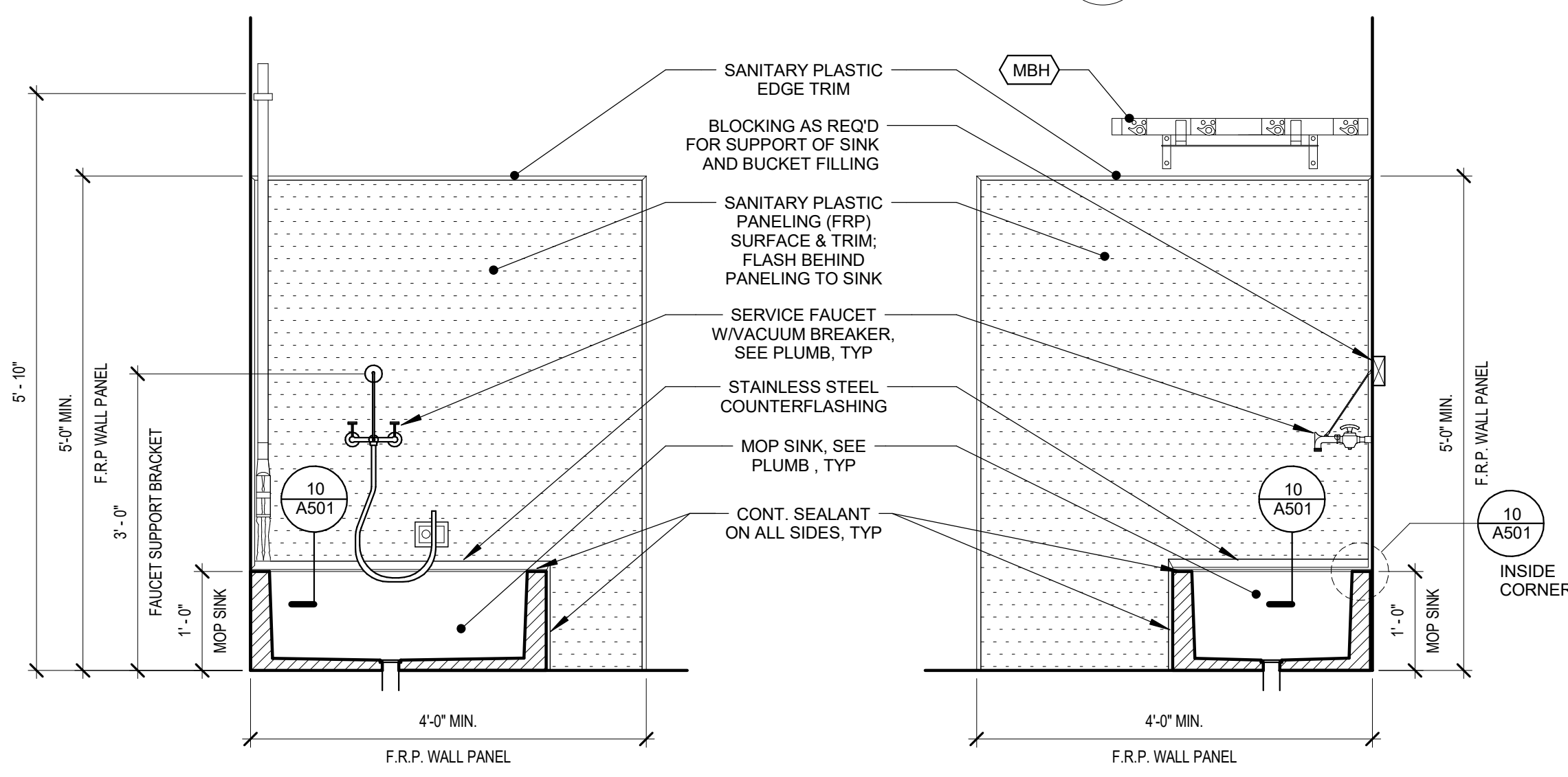
5 ELEVATION - TRANSFER SHOWER - CONTROL WALL

1/2" = 1'-0"



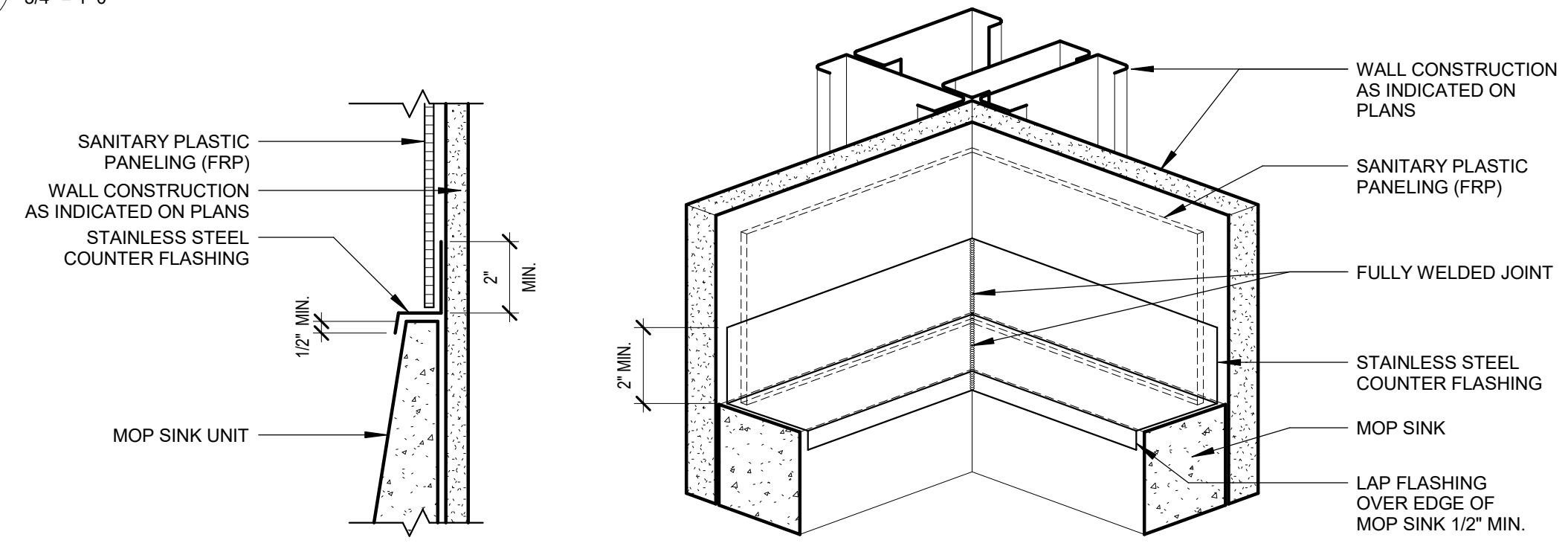
6 ELEVATION - TRANSFER SHOWER - REAR WALL

1/2" = 1'-0"



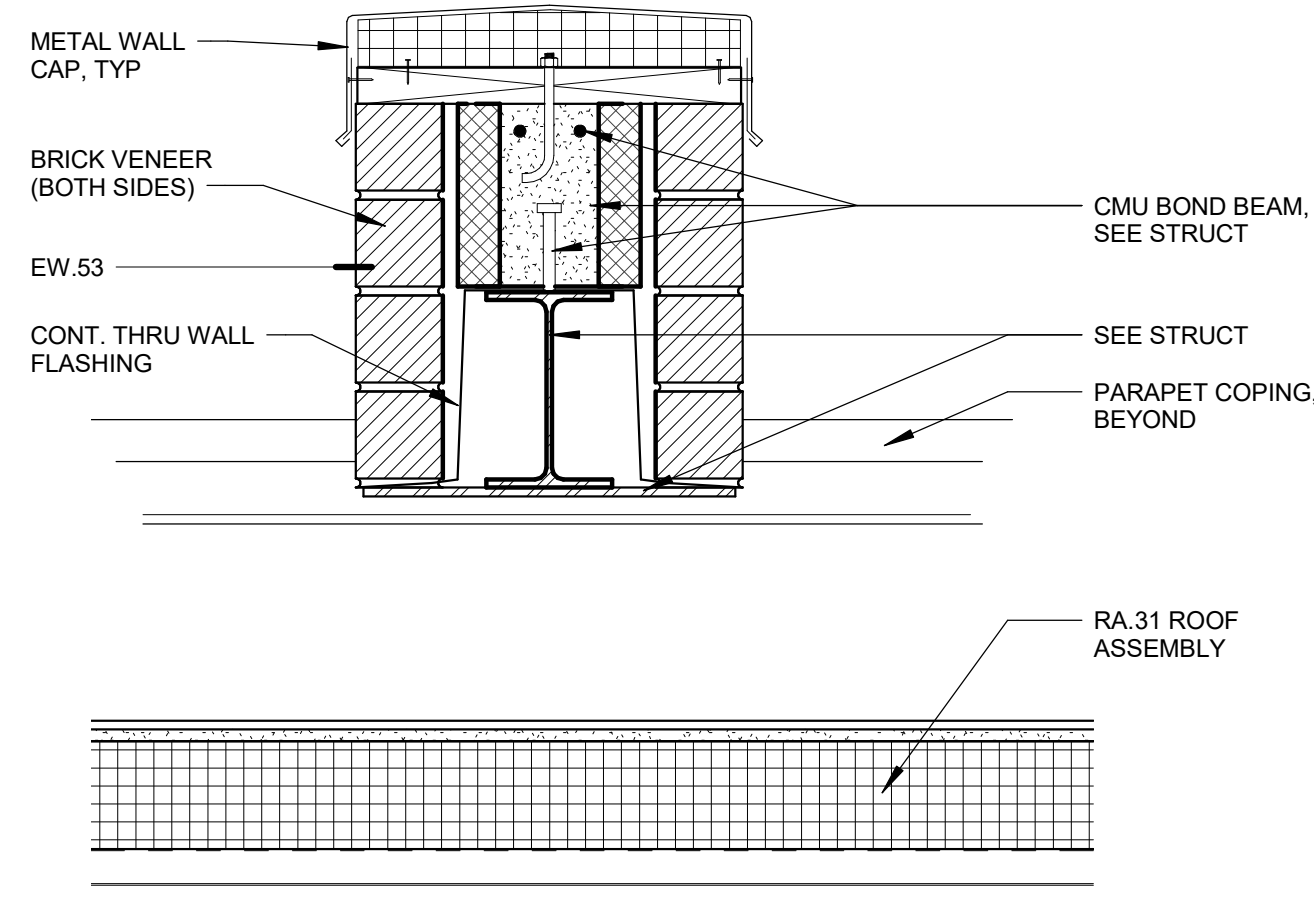
9 MOP SINK DETAILS

3/4" = 1'-0"



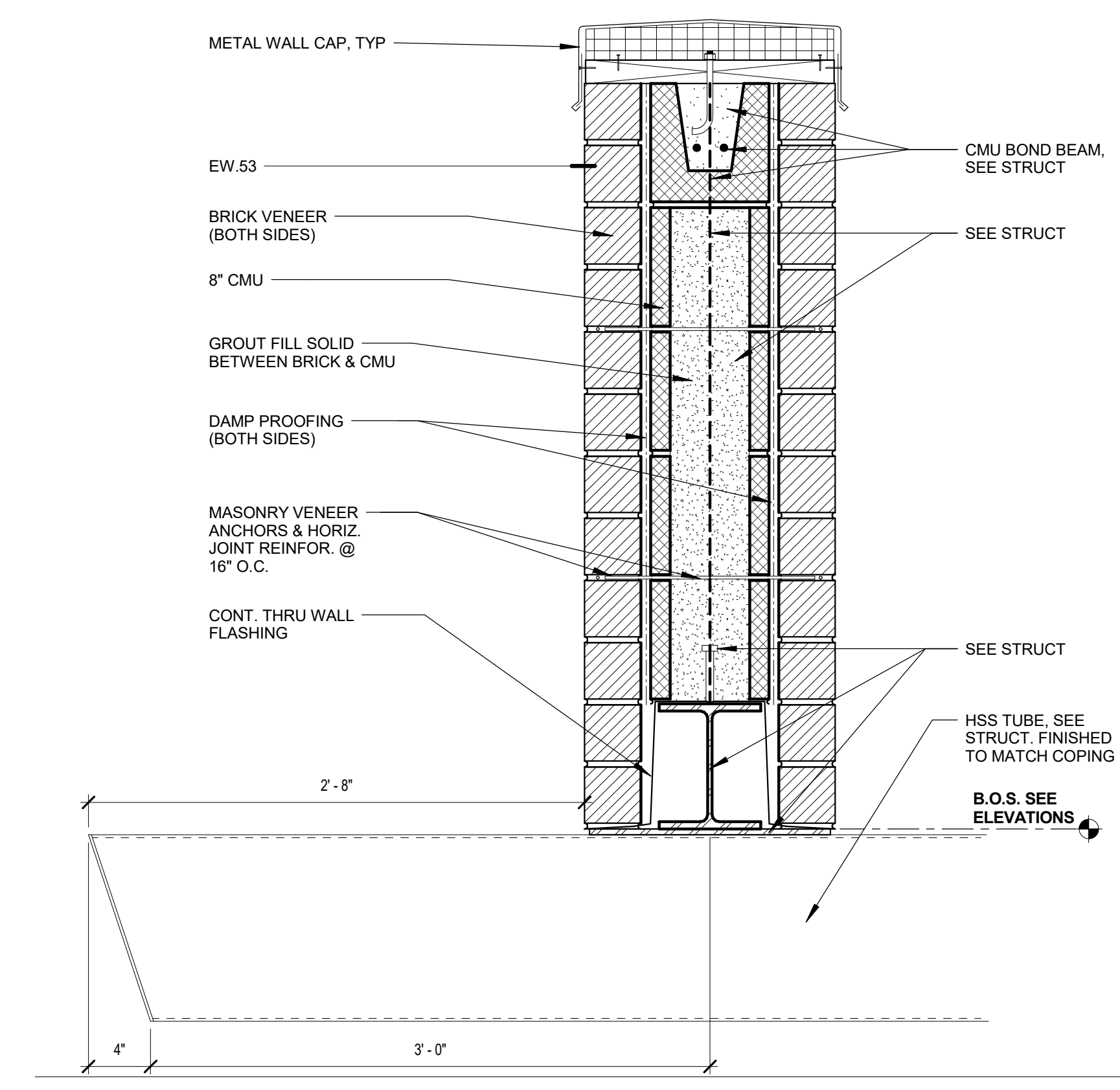
10 MOP SINK FLASHING DETAILS

3" = 1'-0"



7 ROOF DETAIL

1 1/2" = 1'-0"



8 ROOF DETAIL

1 1/2" = 1'-0"



ATHLETIC IMPROVEMENTS FOR BRUNSWICK COUNTY SCHOOLS

PROJECT TITLE

1. THIS DRAWING IS THE PROPERTY AND ©BOOMERANG DESIGN P.A. AND IS NOT TO BE REPRODUCED OR COPIED IN WHOLE OR IN PART. IT IS NOT TO BE USED ON ANY OTHER PROJECT AND IS TO BE RETURNED ON REQUEST.

2. MATERIALS, DIMENSIONS AND ALL OTHER CONDITIONS WHICH ARE NOT OTHERWISE SPECIFIED ON THIS DRAWING SHALL BE CONSIDERED AS HAVING THE SAME MEANING AS SIMILARLY INDICATED CONDITIONS WHICH ARE MORE FULLY DEFINED ELSEWHERE ON THIS PROJECT OR OTHER DRAWINGS OF THIS PROJECT.

3. DO NOT SCALE OFF DIMENSIONS.

NO.	DATE	DESCRIPTION
1	5/06/2020	Addendum 06

BID
PROJECT PHASE

1716
BOOMERANG DESIGN PROJECT NUMBER

2-24-2020
DRAWING RELEASE DATE

CASEWORK ELEVATIONS & ROOF DETAILS

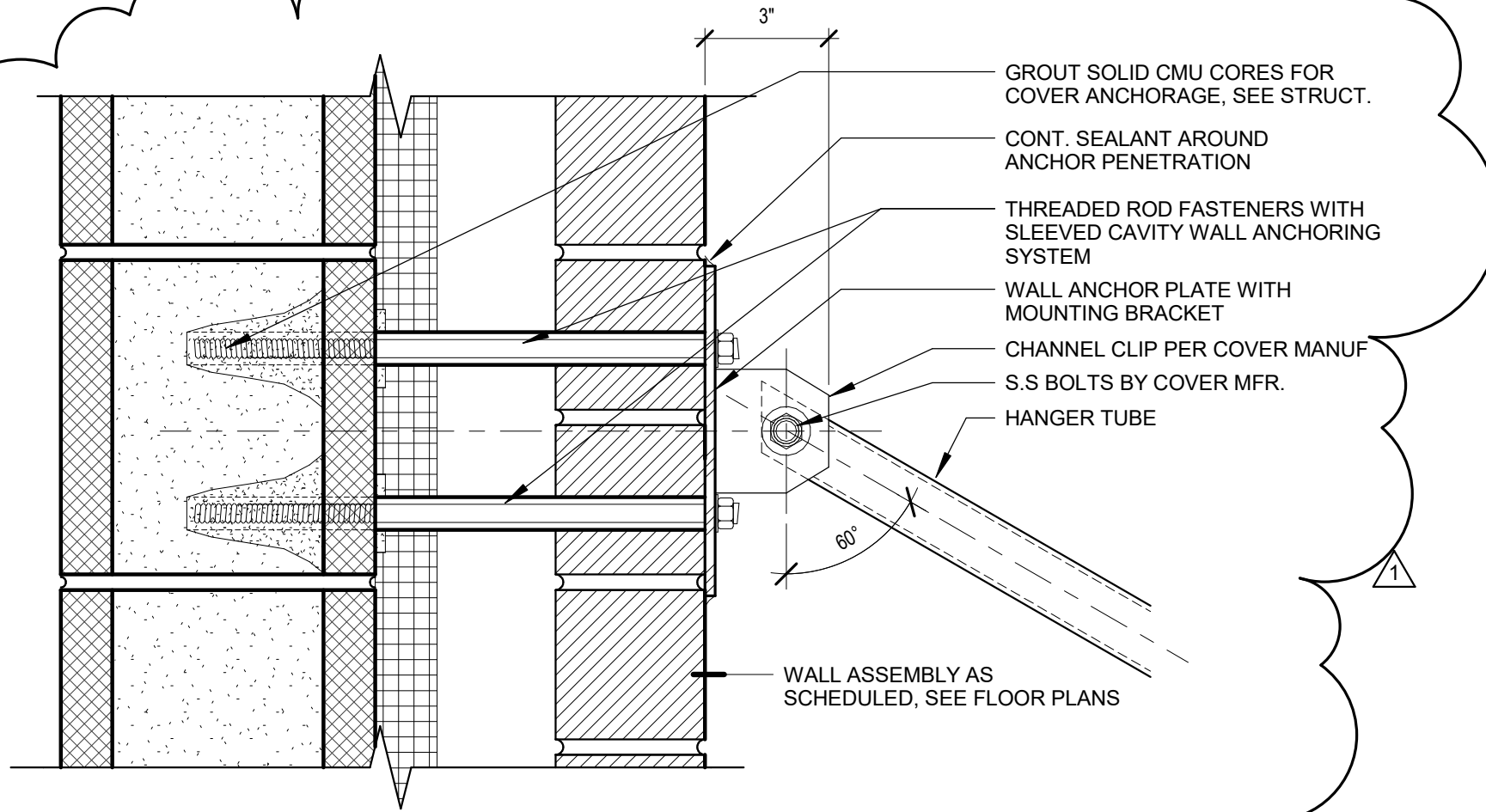
SHEET TITLE

A501
SHEET

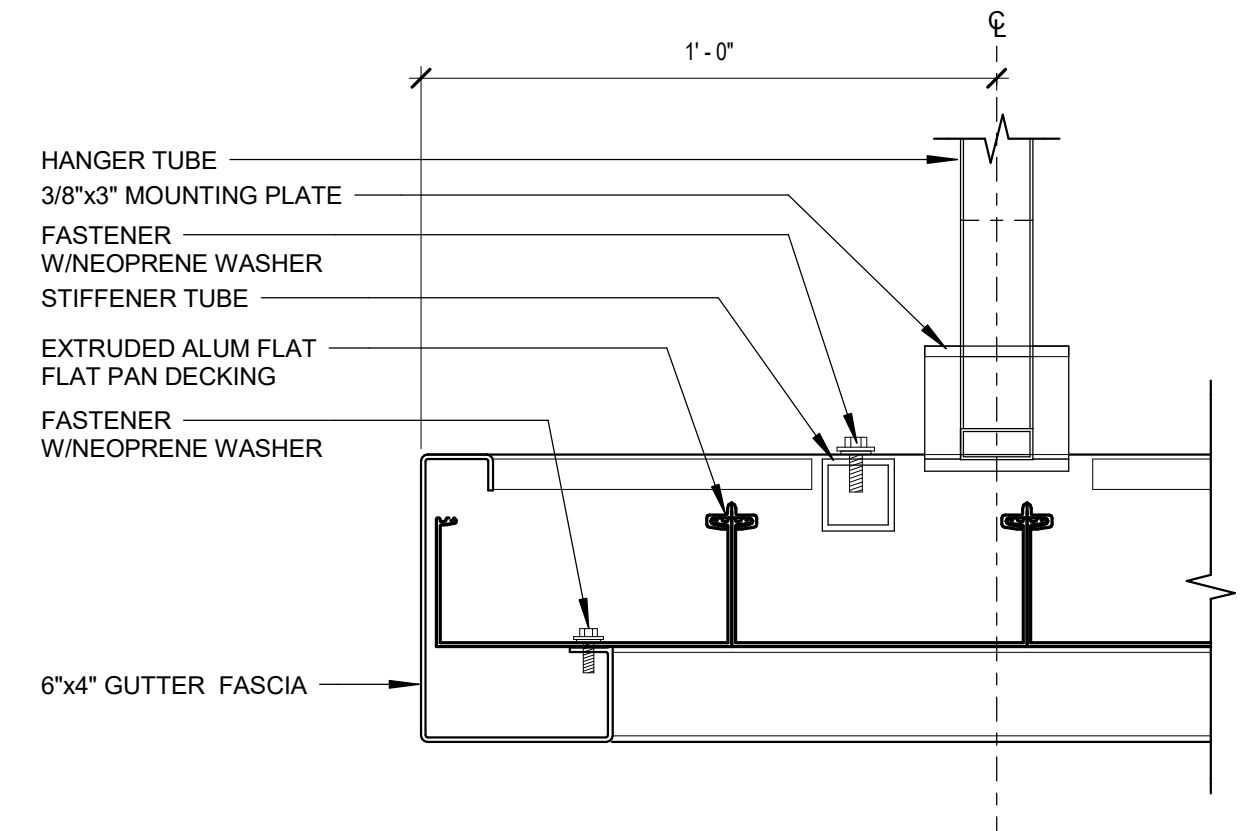


ATHLETIC IMPROVEMENTS FOR BRUNSWICK COUNTY SCHOOLS
PROJECT TITLE

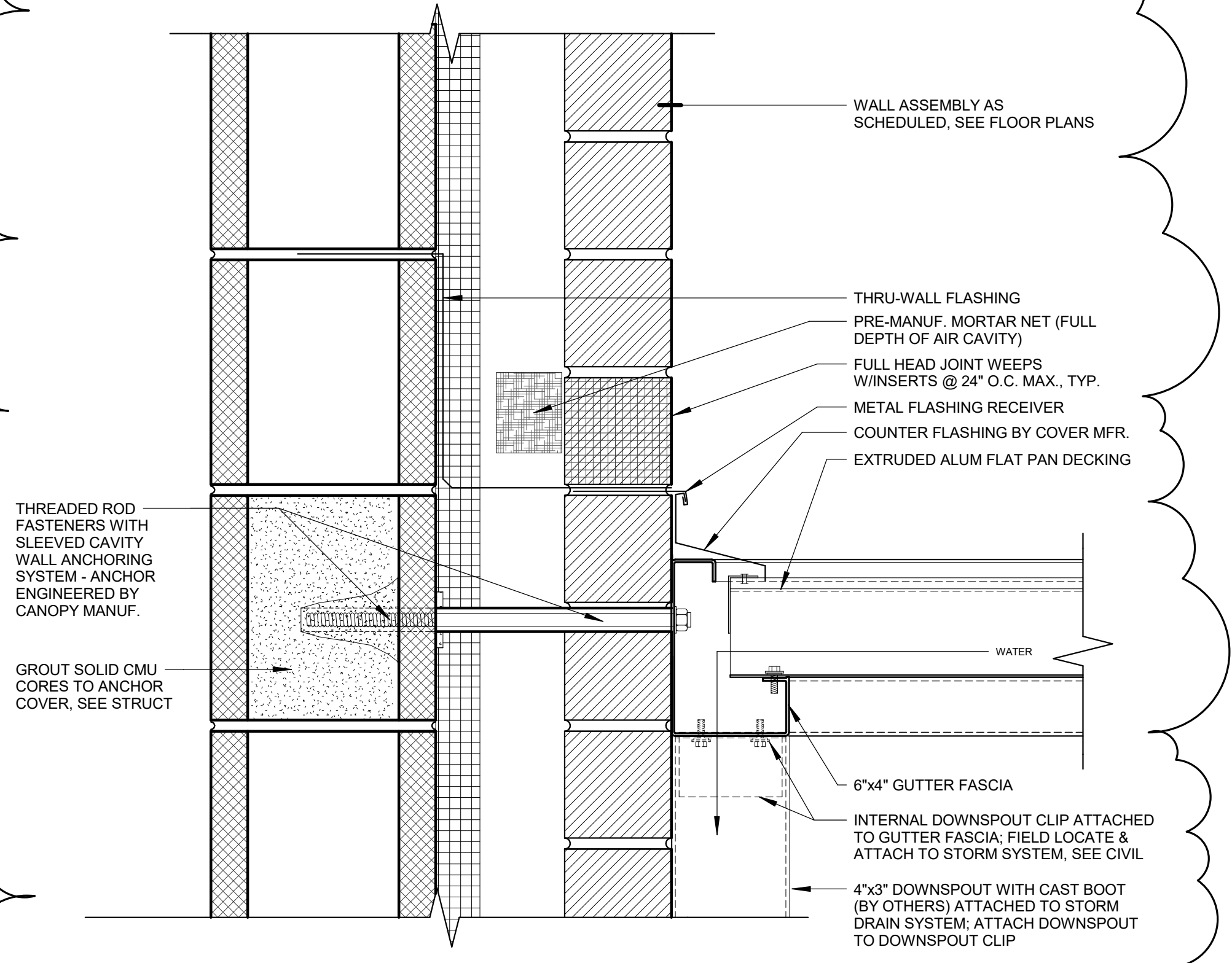
1 COVER A EYEBOLT DETAIL @ BRICK & CMU
3" = 1'-0"



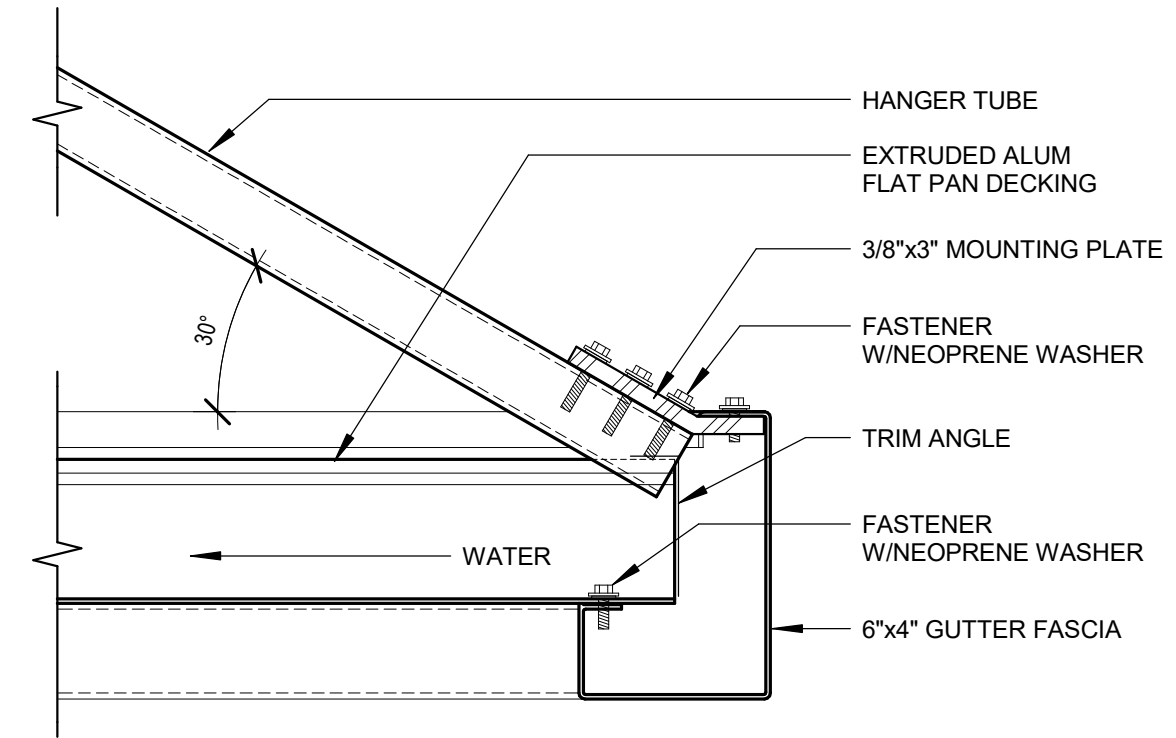
3 COVER A FASCIA @ SIDE
3" = 1'-0"



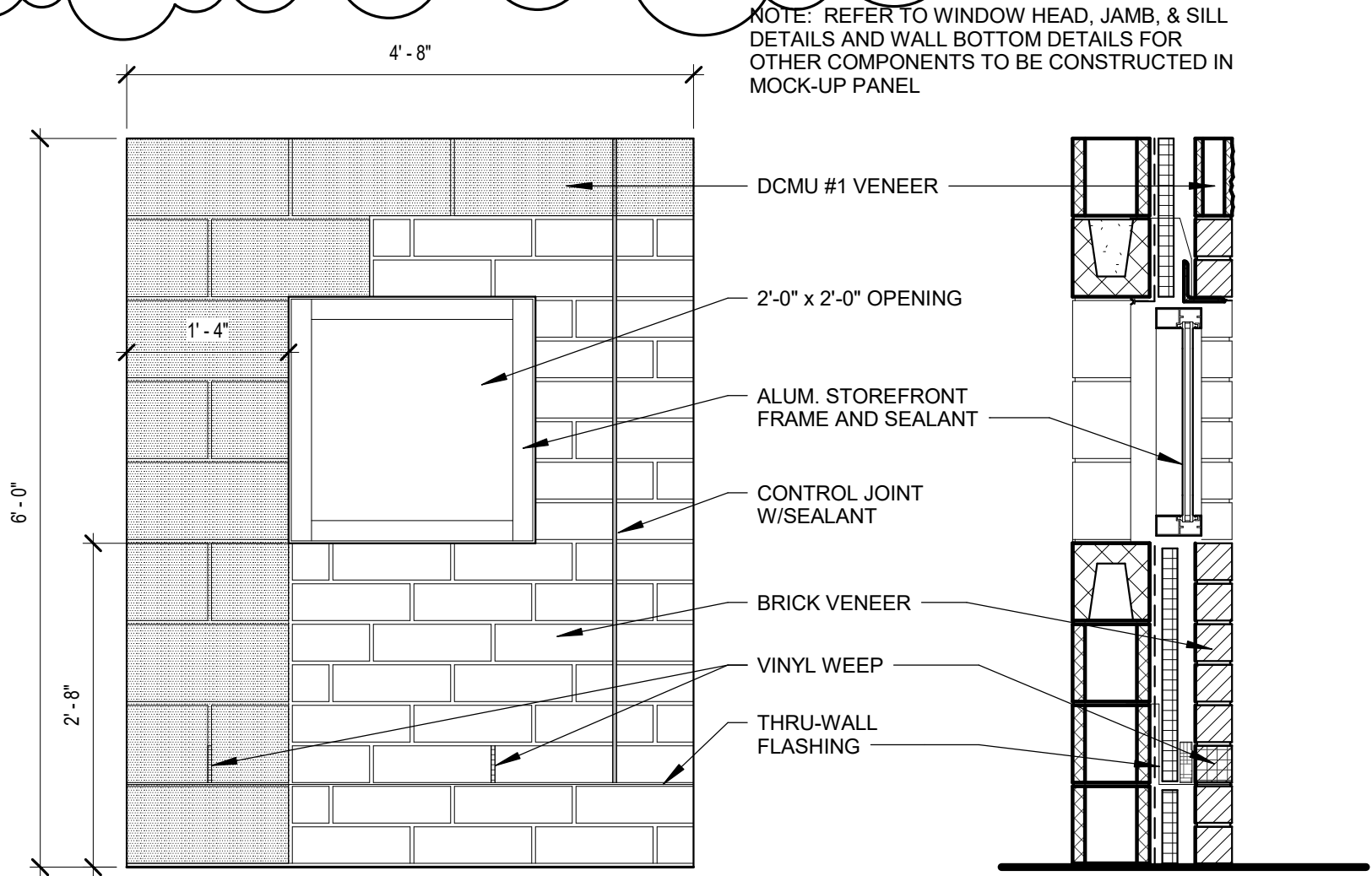
4 COVER AN ANCHOR DETAIL @ BRICK & CMU
3" = 1'-0"



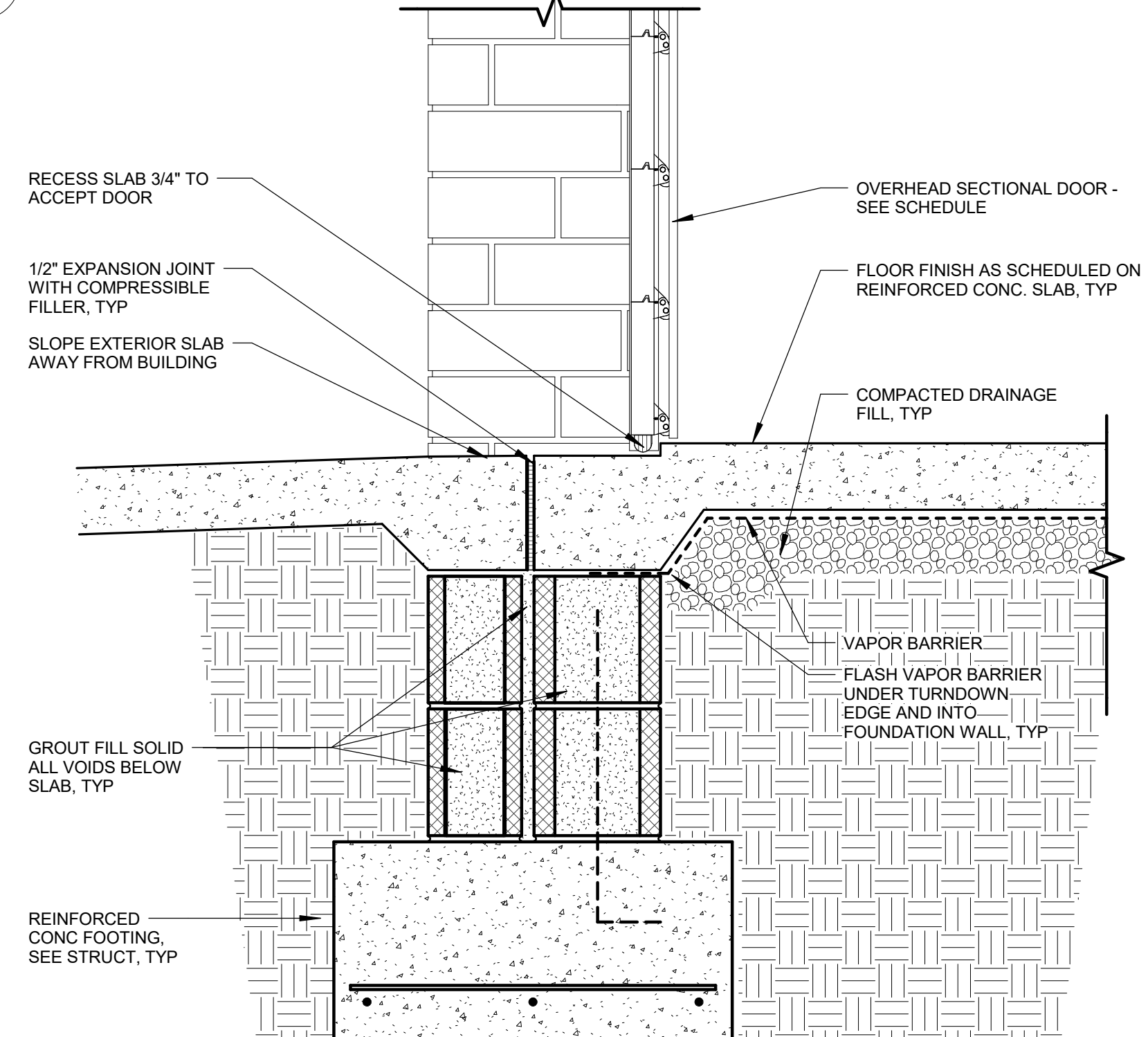
5 COVER A FASCIA DETAIL
3" = 1'-0"



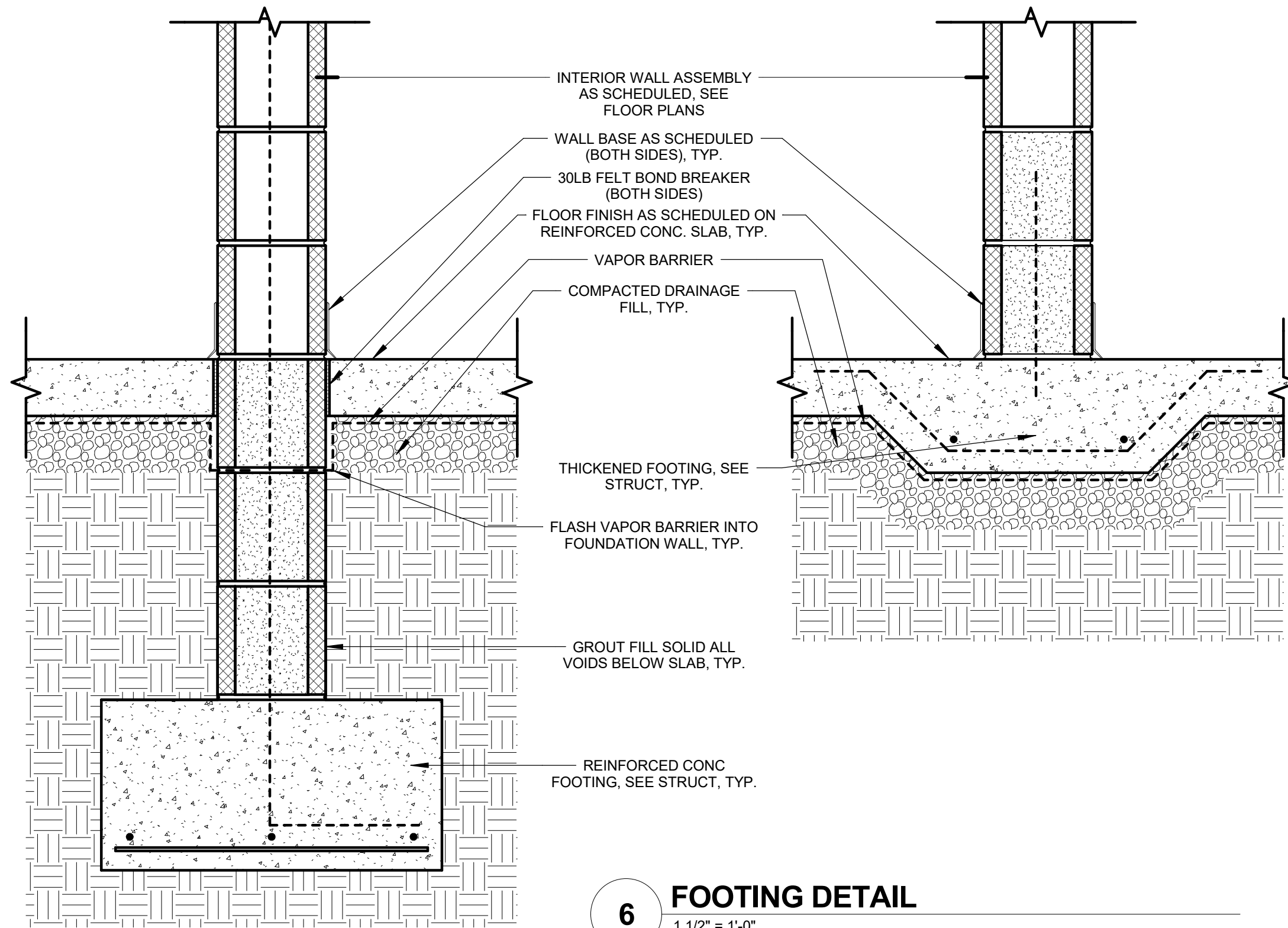
7 MOCKUP PANEL DETAIL
3/4" = 1'-0"



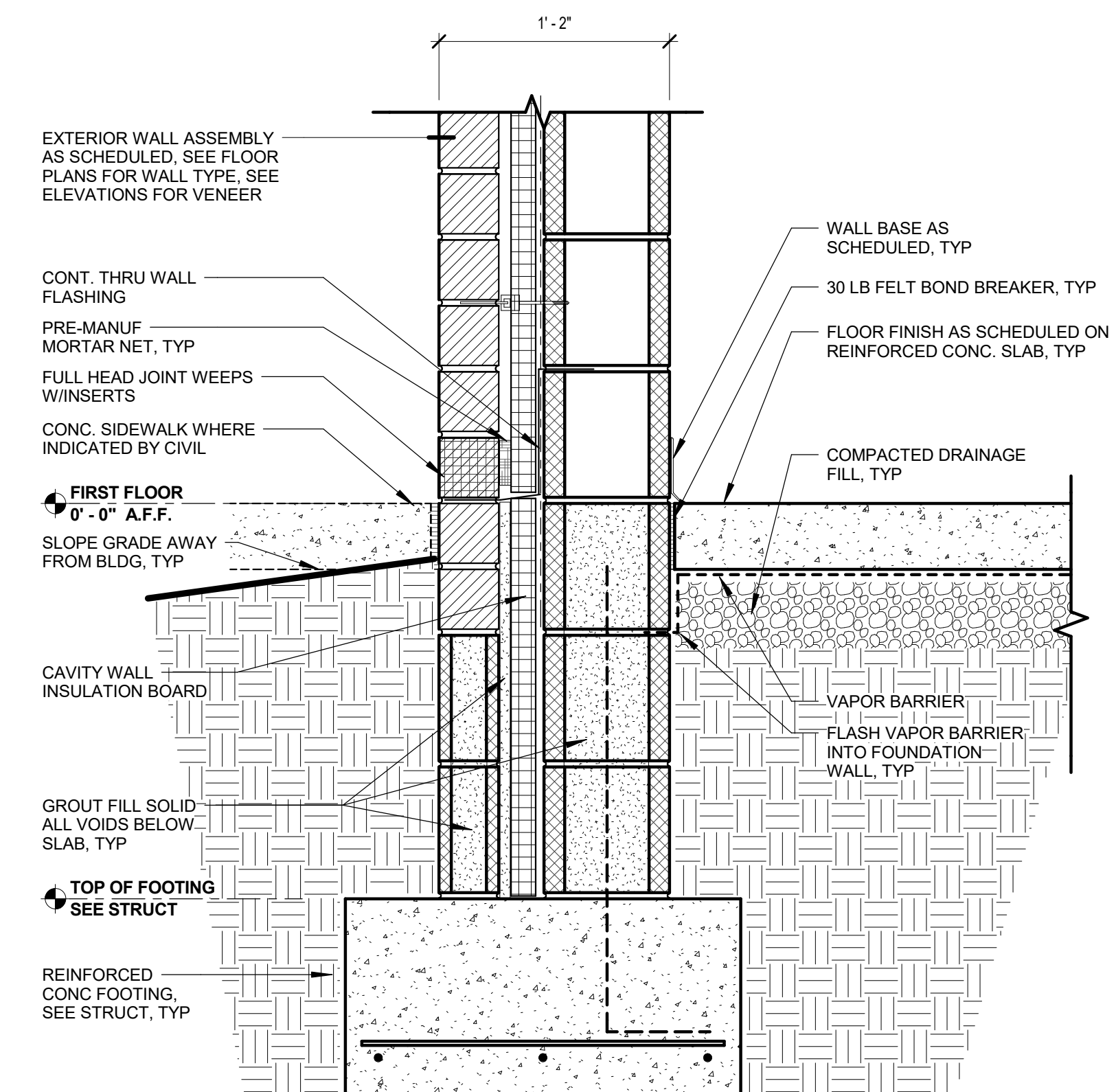
8 FOOTING DETAIL
1 1/2" = 1'-0"



6 FOOTING DETAIL
1 1/2" = 1'-0"



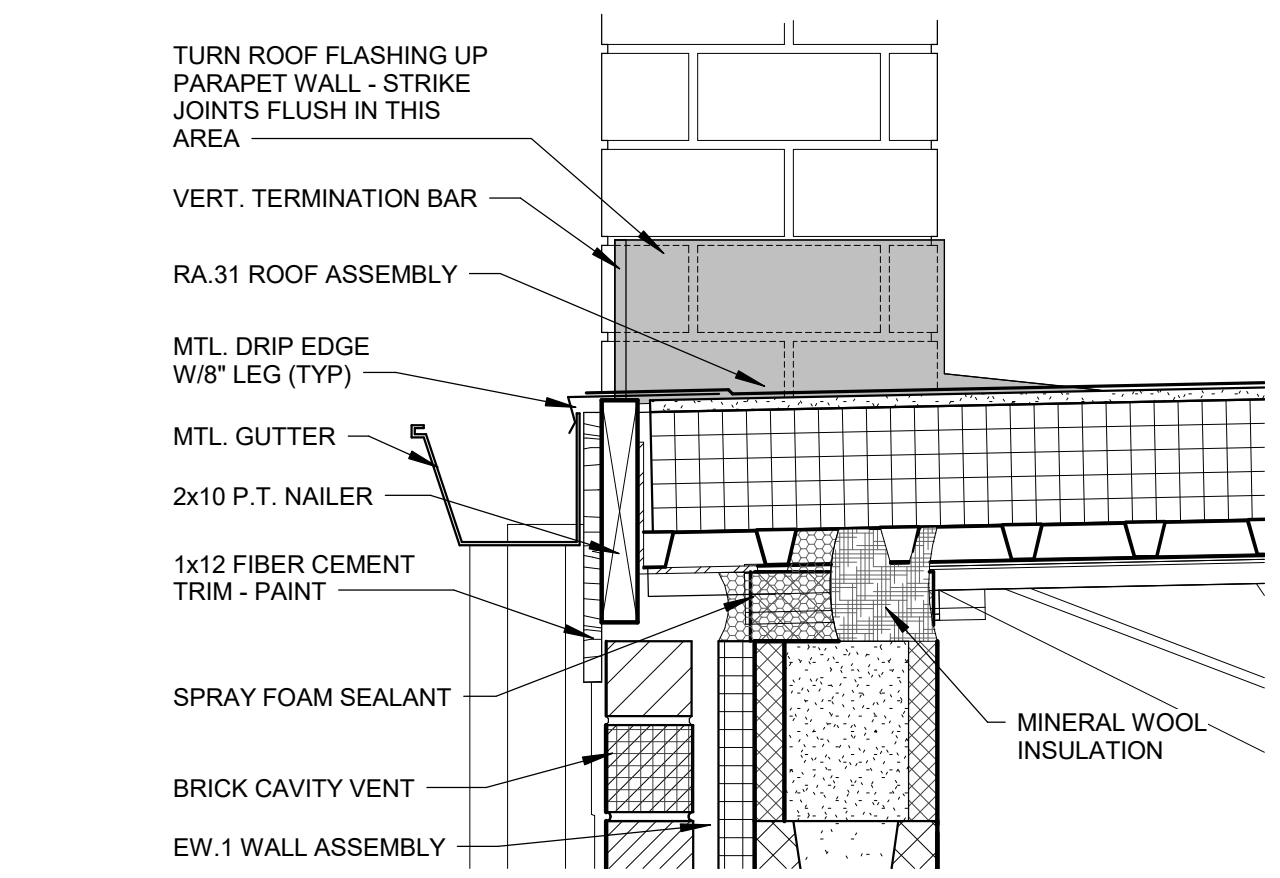
9 FOOTING DETAIL
1 1/2" = 1'-0"



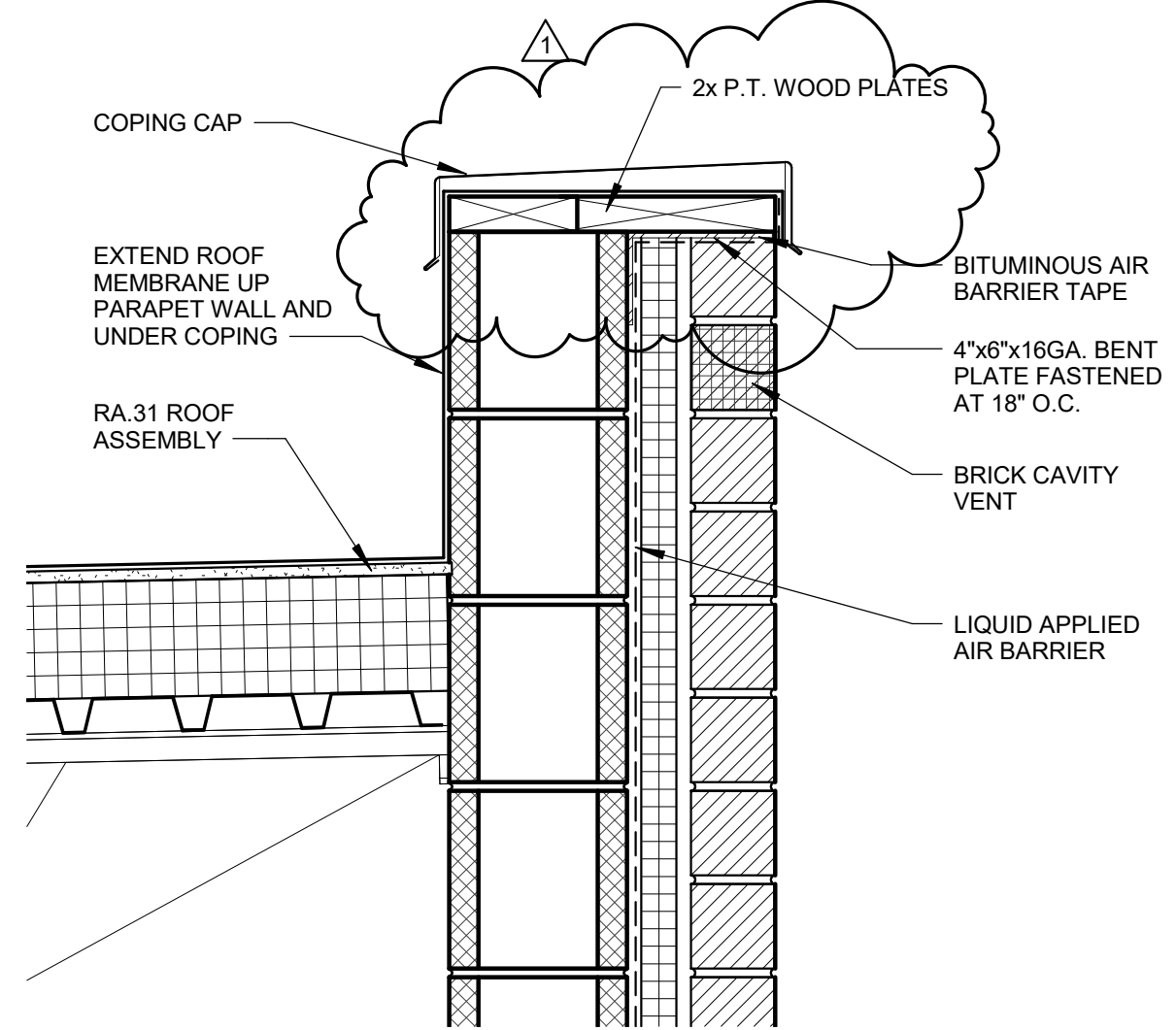
1. THIS DRAWING IS THE PROPERTY AND ©BOOMERANG DESIGN P.A. AND IS NOT TO BE REPRODUCED OR COPIED IN WHOLE OR IN PART. IT IS NOT TO BE USED ON ANY OTHER PROJECT AND IS TO BE RETURNED ON REQUEST.
2. MATERIALS, DIMENSIONS AND ALL OTHER CONDITIONS WHICH ARE NOT OTHERWISE SPECIFIED ON THIS DRAWING SHALL BE CONSIDERED AS HAVING THE SAME MEANING AS SIMILARLY INDICATED CONDITIONS WHICH ARE MORE FULLY DEFINED ELSEWHERE ON THIS PROJECT OR OTHER DRAWINGS OF THIS PROJECT.
3. DO NOT SCALE OFF DIMENSIONS.

REVISIONS		
NO.	DATE	DESCRIPTION
1	5/06/2020	Addendum 06

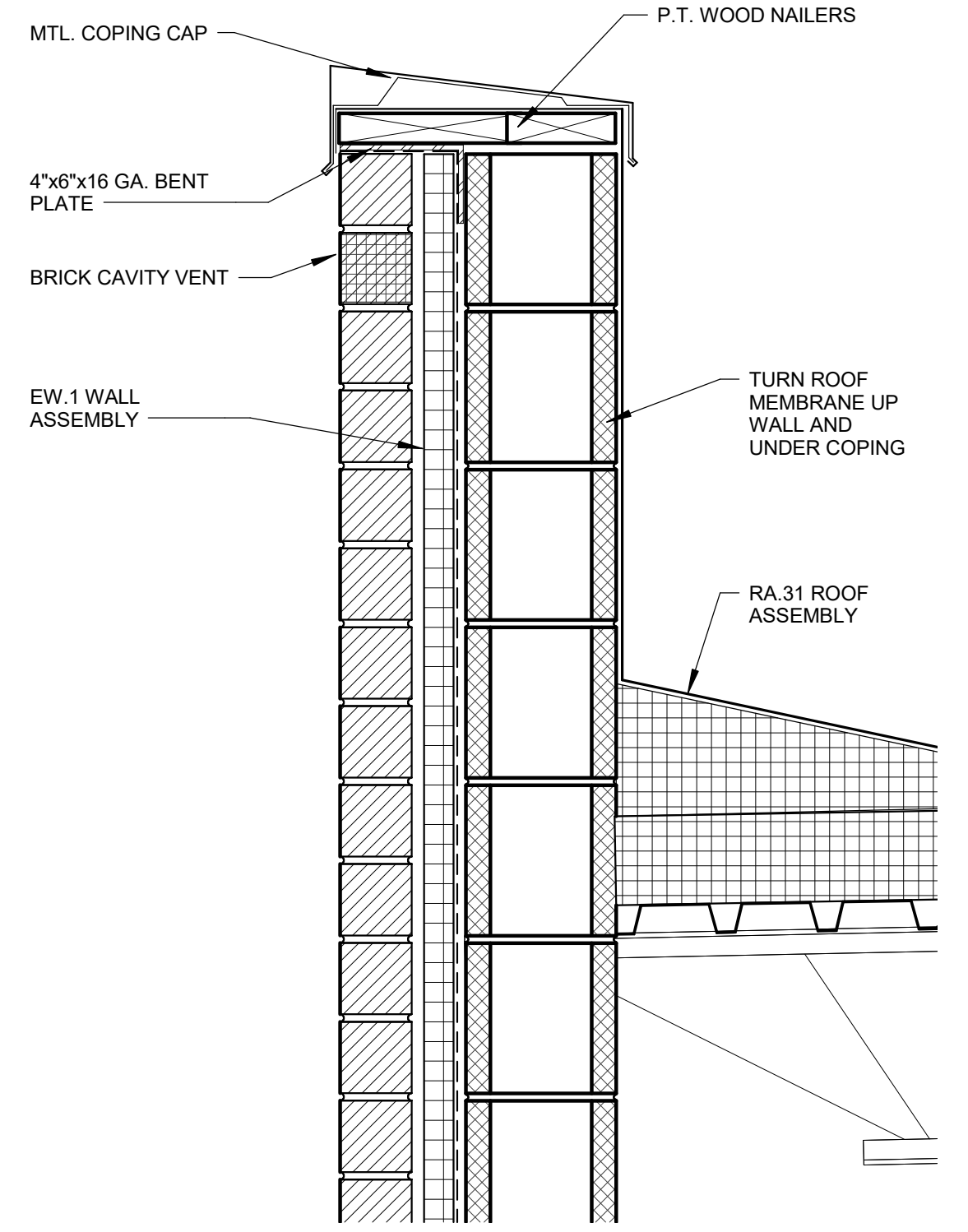
BID
PROJECT PHASE
1716
BOOMERANG DESIGN PROJECT NUMBER
2-24-2020
DRAWING RELEASE DATE



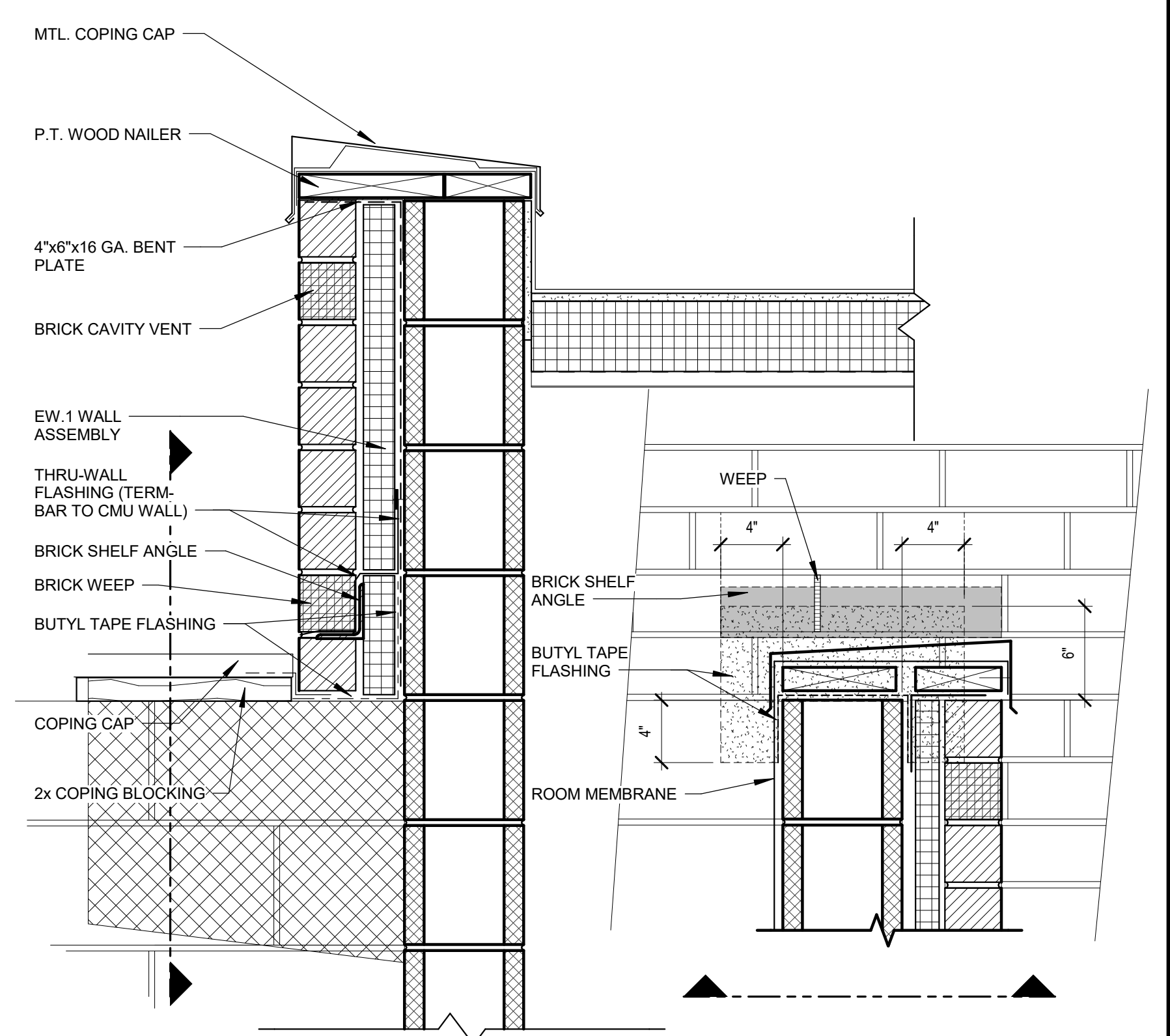
1 ROOF DETAIL
1 1/2" = 1'-0"



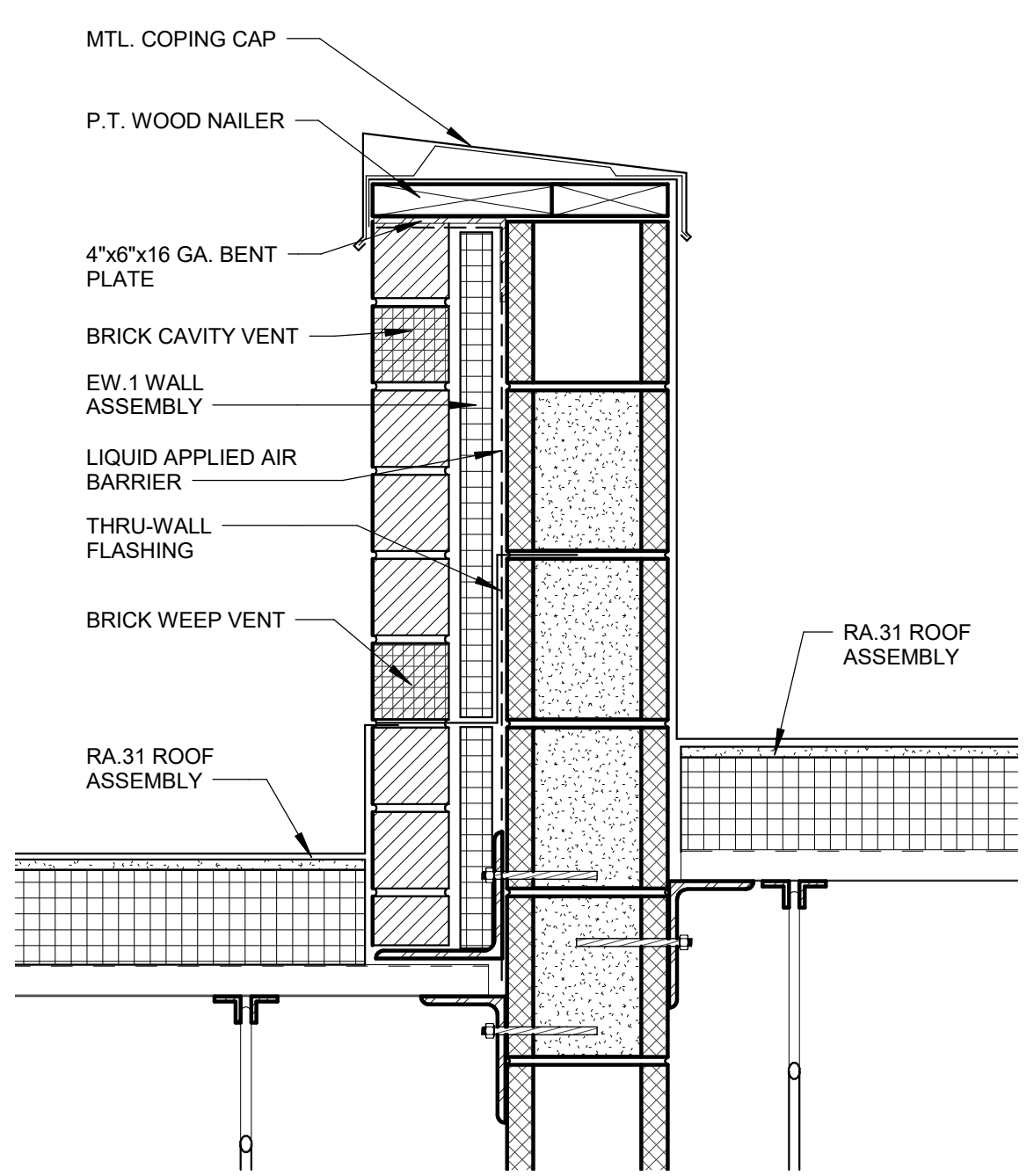
2 ROOF DETAIL
1 1/2" = 1'-0"



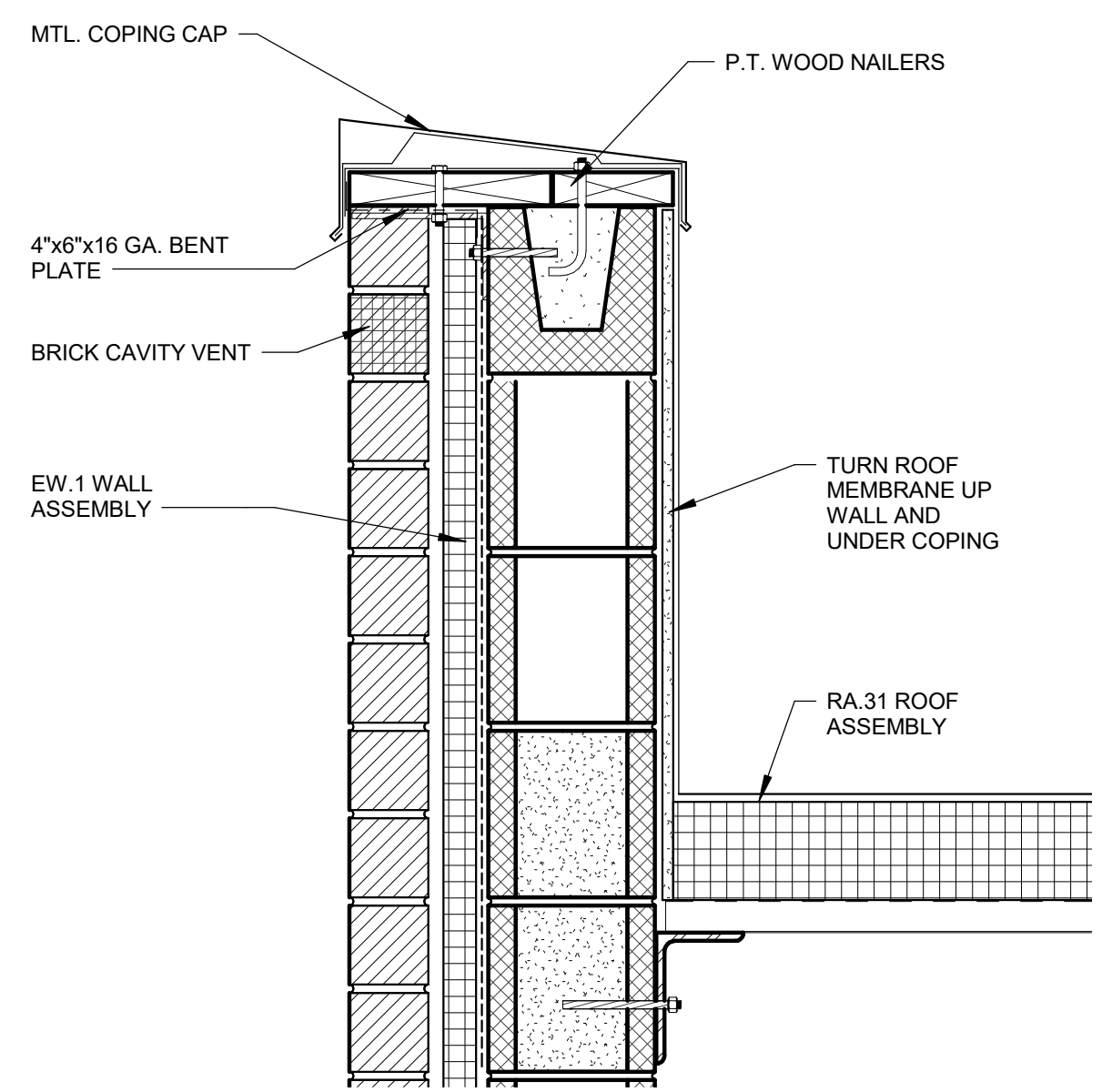
3 ROOF DETAIL
1 1/2" = 1'-0"



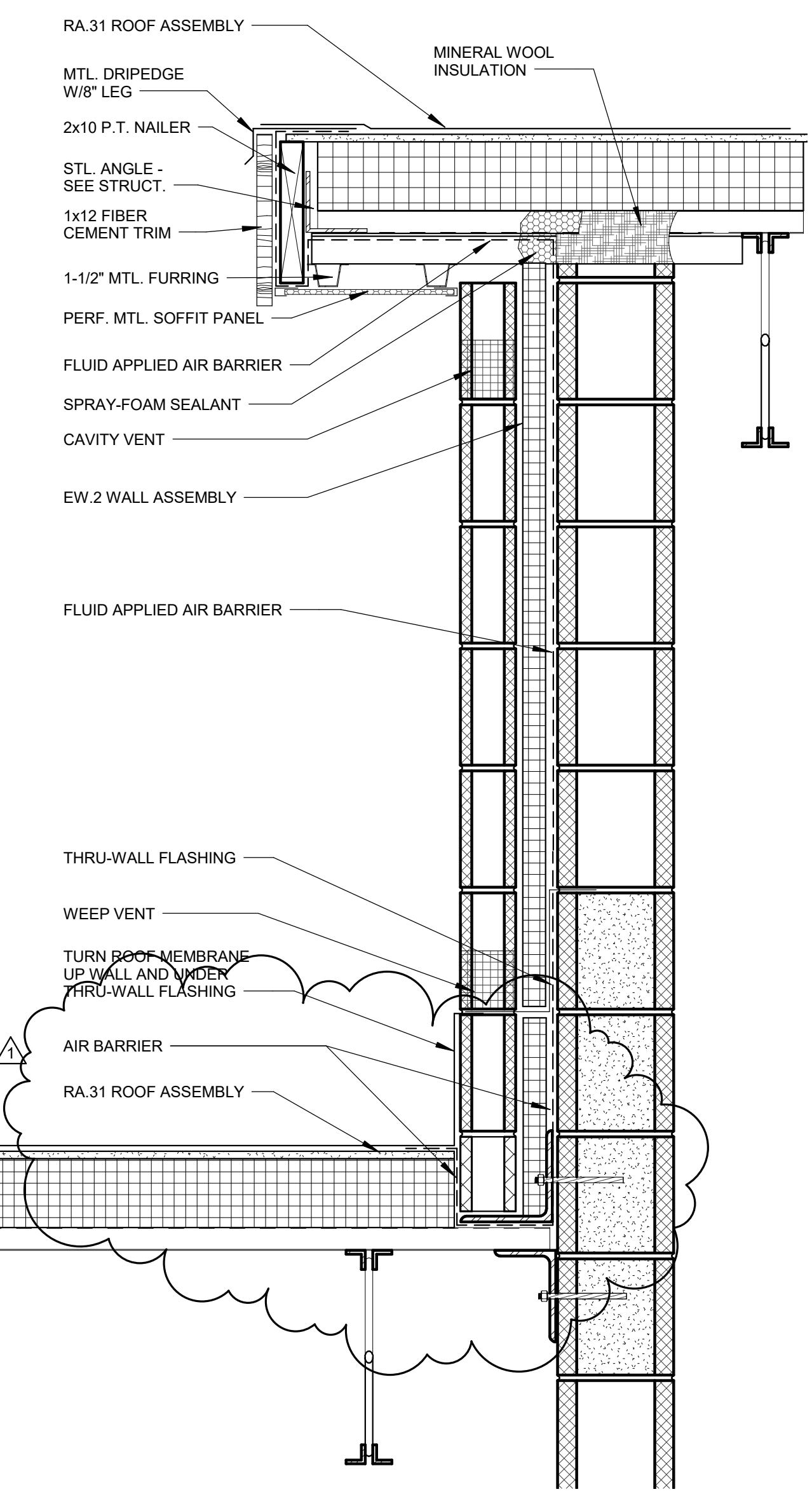
4 FLASHING DETAIL
1 1/2" = 1'-0"



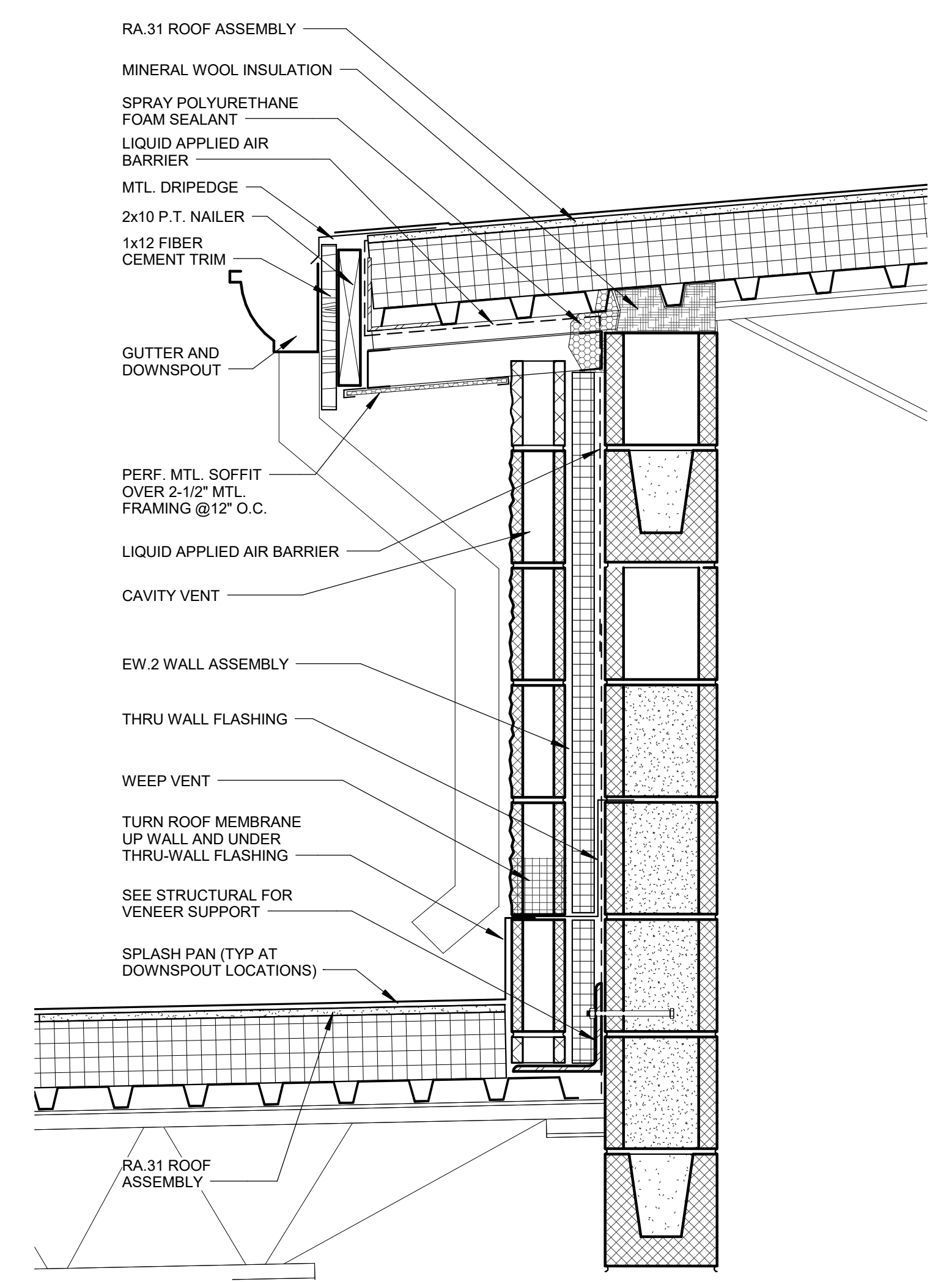
5 ROOF DETAIL
1 1/2" = 1'-0"



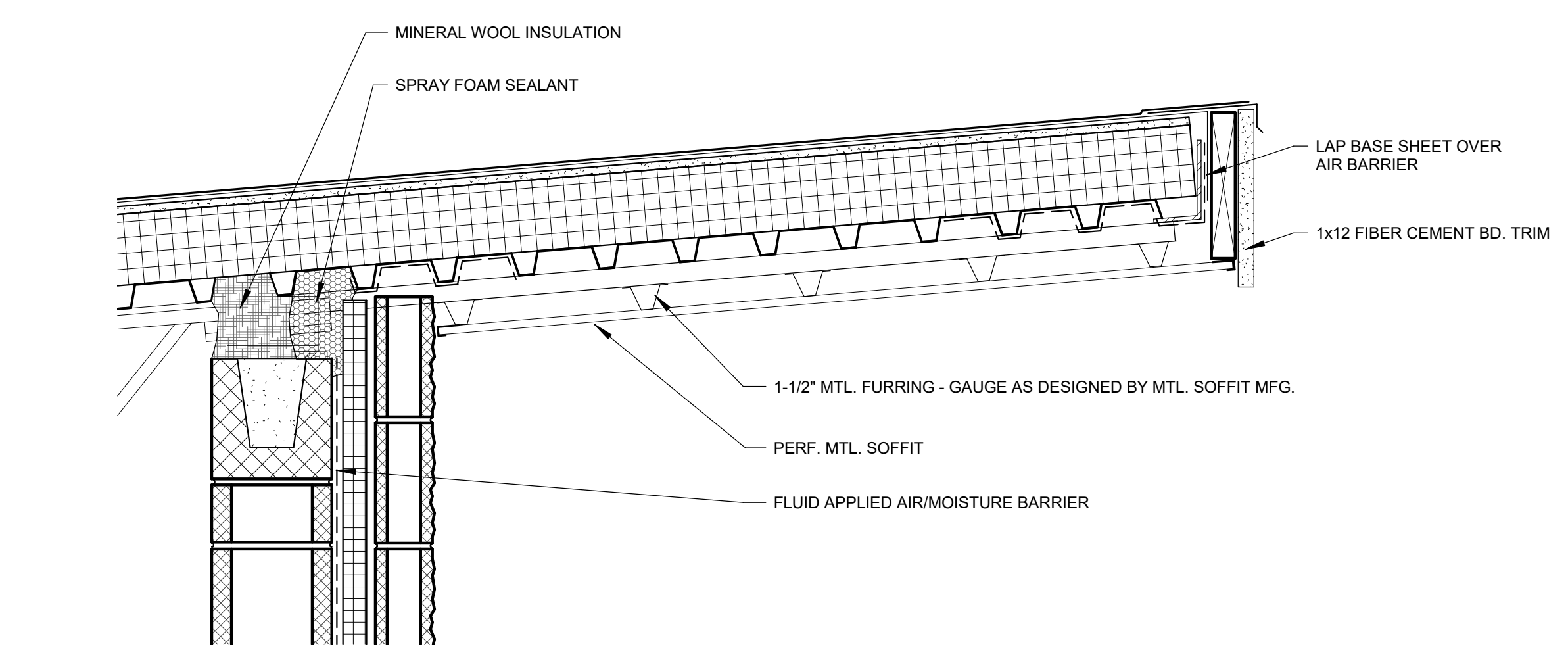
6 ROOF DETAIL
1 1/2" = 1'-0"



8 ROOF DETAIL
1 1/2" = 1'-0"



9 ROOF DETAIL
1 1/2" = 1'-0"



7 ROOF DETAIL
1 1/2" = 1'-0"



ATHLETIC IMPROVEMENTS FOR BRUNSWICK COUNTY SCHOOLS
PROJECT TITLE

1. THIS DRAWING IS THE PROPERTY AND ©BOOMERANG DESIGN P.A. AND IS NOT TO BE REPRODUCED OR COPIED IN WHOLE OR IN PART. IT IS NOT TO BE USED ON ANY OTHER PROJECT AND IS TO BE RETURNED ON REQUEST.

2. MATERIALS, DIMENSIONS AND ALL OTHER CONDITIONS WHICH ARE NOT OTHERWISE DEFINED ON THIS DRAWING SHALL BE CONSIDERED AS HAVING THE SAME MEANING AS SIMILARLY INDICATED CONDITIONS WHICH ARE MORE FULLY DEFINED ELSEWHERE ON THIS PROJECT OR OTHER DRAWINGS OF THIS PROJECT.

3. DO NOT SCALE OFF DIMENSIONS.

REVISIONS		
NO.	DATE	DESCRIPTION
1	5/06/2020	Addendum 06

BID
PROJECT PHASE

1716
BOOMERANG DESIGN PROJECT NUMBER

2-24-2020
DRAWING RELEASE DATE